

Rugged Tablet

Multi-functional Docking station Kit

Model : MDS-08 / MDS-10

- Power Input: 19V power input support standalone power charge
- Expansion Function:
 - 8.4" : 4 x USB 2.0, 1 x RJ-45, 1 x VGA
 - 10.4"/ 12.1" : 4 x USB 2.0



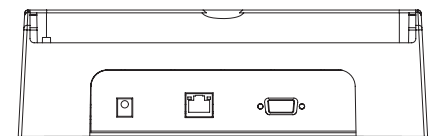
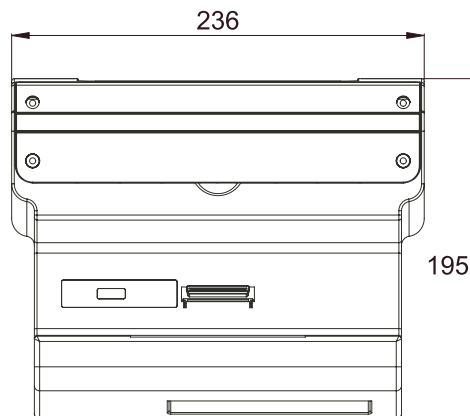
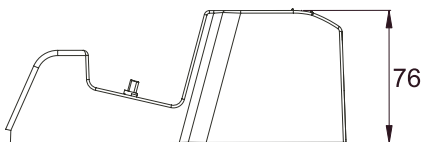
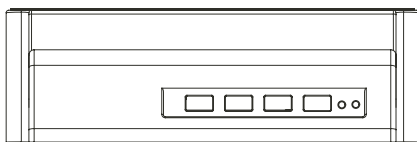
Picture



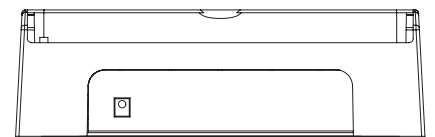
MDS-08

MDS-10

Mechanical Design Drawings



MDS-08



MDS-10

- * Note : This is a simplified drawing and some components are not marked in detail.
Please contact with our sales representative if you need further product information.

Order Information

#	Model Name	Description
A.	MDS-08	Support 8.4 inch all series Rugged Tablet PCs
B.	MDS-10	Support 10.4/ 12.1 inch all series Rugged Tablet PCs