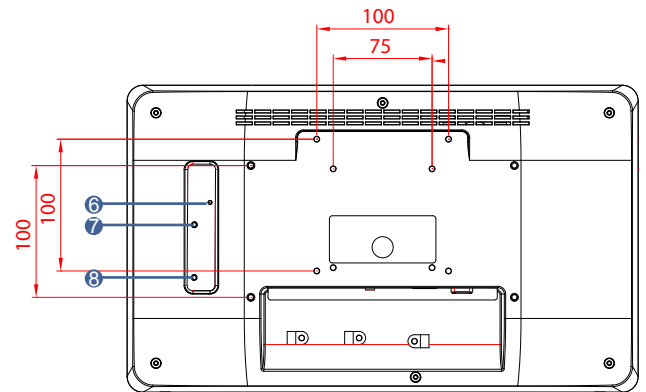
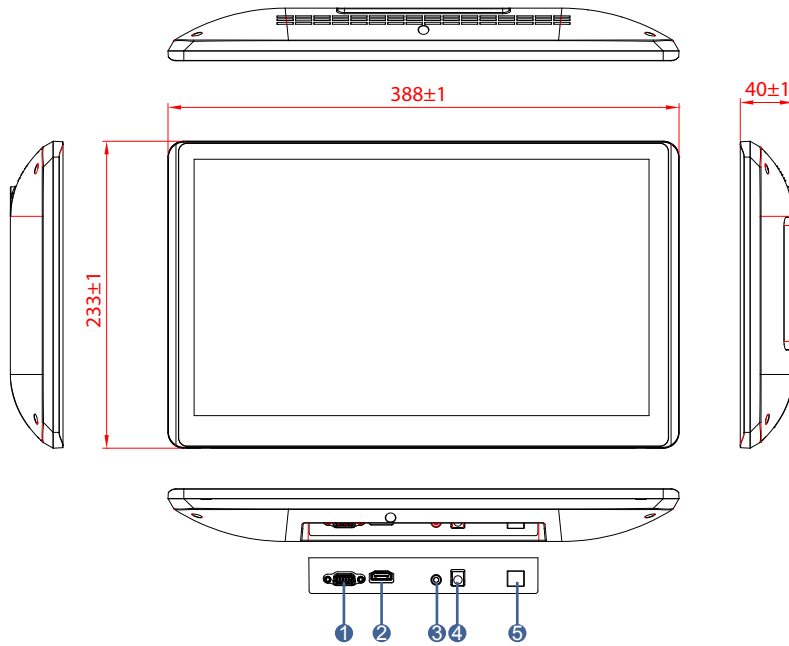


15.6" Multi-Touch Chassis Display - W15L100-PTA3

Features

- 15.6" 1920 x 1080 Resolution
- VGA input and HDMI input
- Stylish and elegant design



UNIT:mm

- | | |
|--------------|------------------------|
| 1. VGA | 5. USB for Touch |
| 2. HDMI | 6. Power LED Indicator |
| 3. Audio In | 7. Power Button |
| 4. 12V DC in | 8. Reset Button |

* Note: this is a simplified drawing and some components are not marked in detail. Please contact our sales representative if you need further product information.

Specifications

Display Spec :

- Size/Type : 15.6" TFT
- Resolutions : 1920x1080
- Brightness : 300cd/m² (typ.)
- Contrast Ratio : 700 : 1 (typ.)
- Viewing Angle : -85~85(H);-85~85(V)
- Max Colors : 16.2M
- Touch : Projective-Capacitive Touch

Power Specification :

- Power Input : 12V DC 2.5mm, with External AC to DC Adapter comply with Level V1 efficiency standard
- Power Consumption : 10W typical, normal operation

Environment Considerations :

- Operating Temperature : 0 °C to 50 °C
- LCD panel life time : 50,000 hours
- Certificated : CE, FCC Class A, UL, RoHS

Input Specifications :

- Input Ports : 1 x VGA
1 x HDMI
1 x Audio
1 x USB For touch
- OSD Membrane : Buttons at the back side
- Speaker : 2 x 1 Watt speaker

Mechanical Specification :

- Mounting : VESA Mount (75 x 75,100 x 200mm)
- Dimensions (W x H x D) : 388.1 x 233 x 40 (mm)
- Appearance : White Plastic Housing

Product Accessory :

- Accessory : 12V DC in Adapter
HDMI cable
VGA cable
USB cable for touch

