

M116PT, 11.6-inch Rugged Tablet PC

A Rugged Tablet that Can Survive Any Environment and Get Real Work Done

The M116 platform is a next-generation Windows rugged tablet series designed to boost efficiency in a mobile, versatile form factor. The large 11.6-inch sunlight readable full HD display allows for a premium viewing experience no matter where work takes place. The M116PT comes with boosted security functions with the integrated smart card reader and efficient performance with Intel Pentium processing for all day use with a hot-swappable battery design. Multiple wireless connectivity options and data capture modules allows users to complete their tasks reliably; from warehouses, to vehicle mounted, to field service external use. All these tools suited for productivity encased in an IP65 water and dust proof rugged housing with MIL-STD 810G specs ensures that the M116PT is the ultimate rugged tablet designed with mobile productivity in mind.



*Expansion port is an optional function.



Highlights

- Intel® Pentium® N4200 1.1GHz (Turbo up to 2.5 GHz)
- 11.6" 1920 x 1080 LED panel with direct optical bonding
- IP65 water and dust proof with MIL-STD-810G rugged housing
- Integrated Smart Card Reader
- Optional Integrated 1D/2D Barcode Reader and HF RFID for data collection
- Removable battery with hot-swap function for all day productivity
- 802.11ac WiFi, BT 5.0, 4G LTE, GPS Wireless Connectivity
- Optional GigaLAN Port

M116PT, 11.6-inch Rugged Tablet PC

A Rugged Tablet that Can Survive Any Environment and Get Real Work Done

Display Specification

Size	11.6-inch display with LED Backlight
Resolution	1920 x 1080 Full HD
Contrast Ratio	1000:1
Panel Brightness	850 nits with direct optical bonding for sunlight readability
Viewing Angle	89/89/89/89
Touch Technology	Projected capacitive multi-touch <ul style="list-style-type: none">• Anti-glare technology (Default)• Automatic screen rotation

System Specification

CPU	Intel® Pentium® N4200 1.1GHz (Turbo up to 2.5 GHz)
System Memory	4GB LPDDR4 RAM ¹ (up to 8GB)
Storage	128GB SSD (options up to 512GB) Additional storage available with micro SDXC card slot
Graphics	Intel® HD Graphics 505
Operating System	Windows 10 IoT Enterprise (64 bit)
Sensors	Light sensor/ g-sensor / Gyro / E-compass

Wireless Communication

WLAN	802.11 a/b/g/n/ac WiFi
Bluetooth	Bluetooth 5.0
GNSS	GPS, GLONASS
WWAN	Optional 4G LTE

Interface

Docking Connector	1 x 19-pin docking connector
HDMI	1 x micro HDMI (Optional)
USB	1 x USB 3.0 (Type A), 1 x USB 3.0 (Type C) ²
Power Input	1 x Power Jack
Micro SD	1 x Micro SDXC slot
Audio	1 x Audio combo connector (Mic in or Line Out)
LAN	1 x RJ45-10/100/1000 GigaLAN port (Optional)
Expansion Port	1 x Expansion connector for USB 2.0/ Full RS232 (Optional)
Micro SIM	1 x Micro SIM card slot
mini PCIe	1 x Mini PCIe for WWAN Module

Input

Physical Buttons	1 x Power; 3 x function keys
Touch	10-point multi-touch, supports Rain / Glove / Stylus Modes

Status Indicators

LED Indicators	Power, Battery, HDD, RF
----------------	-------------------------

Audio

Microphone	Built-in dual digital mic with noise cancellation
Speaker	2 x 1 watt front-facing speakers

Cameras

Front Camera	2MP front camera
Rear Camera	8MP rear camera with autofocus and LED light

Data Capture

Integrated	Smart Card Reader, complies with ISO7816-1.2.3T=1 and T=0 protocol Optional 1D/2D Barcode Reader Optional HF RFID reader 13.56 MHz
Add-on Module ³	Optional add-on UHF RFID Reader

Security Function

Security	<ul style="list-style-type: none">• Smart Card Reader• Trusted Platform Module (TPM) 2.0 ⁴• Kensington Lock
Mobile Device Management	SOTI Mobicontrol compatible ⁵

Standards and Certification

EMC	CE, FCC
-----	---------

Power Management

Power Input	19V DC
AC Adapter	100-240V, 50-60Hz (19V DC)
Battery	Hot-swappable 7.7V typ. 5900 mAh Li-Polymer Battery (2S1P) Optional 7.4V typ. 10280 mAh Li-Polymer Battery (2S2P)
Battery Operating Time	Std. Battery: 8 hours ⁶

Mechanical

Dimensions (W x L x H)	300.67 x 201.97 x 22.5 mm ⁷
Weight	1.4 kg

Environment

Operating Temperature	-20°C to 60°C (AC mode), -10°C to 50°C (Battery mode)
Storage Temperature	-30°C to 70°C
Operating Humidity	10% to 90% RH, non-condensing
Shock	MIL-STD-810G Method 516.6 Procedure I
Vibration	MIL-STD-810G Method 514.6 Procedure I
Drop	MIL-STD-810G Method 516.6, 4 ft
IP Rating	IP65 certified, dustproof and waterproof

Accessories

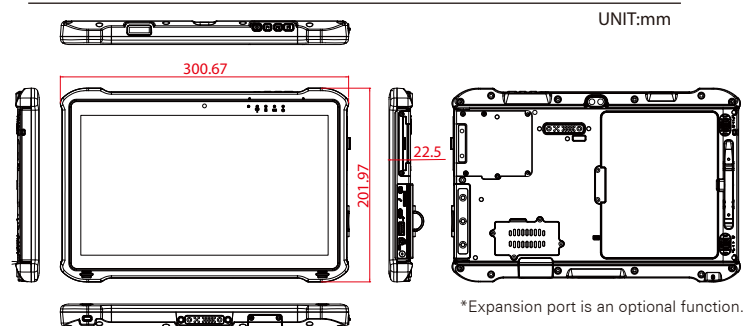
Standard Accessories

Adapter and Power Cord	922D065W19V1
Capacitive Stylus	9B0000000415
Standard Battery	98K000A000D6

Optional Accessories

Desk Dock	98DT00A0001G
Vehicle Dock	98DT00A0001H
Vehicle Charger	9226065W19V0
Battery Charger	98K000A000DK
Smart Card Reader	98K000A0003U
UHF RFID Reader	98K000A0004J
High Capacity Battery	98K000A0003S
Hand Strap	98K000A000DC
VESA Mount Kit	98K000A000DB
Shoulder Strap	98K000A000DD
Carry Bag	9BN00000005F
Micro HDMI Cable	9491191190K7
USB-C to Ethernet Adapter	9AN00000000I
USB-C to RS232 Adapter	9AN00000000L
USB-C to USB-A Hub	9AN00000000J

Drawing ⁸



Caution

Do Not Expose the Battery Pack to Excessive Heat, or Extreme Heat (Near Fire, in Direct Sunlight for example)
Do not expose bare skin to this product when handling this unit in extreme hot or cold environments

1. Total usable memory will be less depending upon actual system configuration.
2. The USB Type-C connector follows USB 3.0 standard, which does not support Alternate Mode (ALT) or USB Power Delivery (USB-PD).
3. Add-on modules require the expansion port option to be usable.
4. TPM 2.0 available upon request.
5. SOTI is available upon request.
6. Measured at dimming LCD brightness. Varies depending on the usage conditions, or when an external device is attached.
7. Length measurements do not include protrusions. Weight varies with options and active pen.
8. This is a simplified drawing and some components are not marked in detail.