

# M133K, 13.3-inch Ultra Rugged Tablet

An Ultra Rugged Tablet that Can Survive Any Environment and Get Real Work Done

---

M133K is the next generation of the 13.3-inch rugged tablet with robust set of features designed to withstand industrial use while providing high tech solutions that increase productivity, improve safety, and reduce operational costs. The processing power comes from Intel's 7th generation Core i5-7200U Kaby Lake processor and the tablet features a brilliant, wide viewing angle with direct optical bonding, projected capacitive touch screen, which is outdoor viewable and offers a 1920 x 1080 resolution display. Equipped with a built-in kickstand, the M133K is a powerful workstation with reliable performance in a mobile and ultra-rugged design.



## Highlights

- Intel® Core™ i5-7200U Kaby Lake, 2.5 GHz (Turbo up to 3.10 GHz)
- 13.3" 1920 x 1080 wide viewing angle LED panel with optical bonding
- Optional high brightness 800 nits
- PCAP touch with anti-glare (AG) technology
- Magnesium alloy housing with all-around elastomeric rubber
- Built-in kickstand
- Optional hot-swappable user-replaceable battery
- IP65 waterproof and dustproof

# M133K, 13.3-inch Ultra Rugged Tablet

An Ultra Rugged Tablet that Can Survive Any Environment and Get Real Work Done

## Display Specification

|                |   |
|----------------|---|
| Size           | 13.3-inch   |
| Resolution     | 1920 x 1080   |
| Brightness     | 500 nits with Optical Bonding (Optional 800 nits)   |
| Touch          | Multi-touch Projected Capacitive with Glove/Rain/Stylus Modes Active Stylus Support   |
| Contrast Ratio | 1000:1  |
| Viewing Angle  | 89/89/89/89   |
| Technology     | <ul style="list-style-type: none"><li>Intel HD Graphics (built-in CPU) video controller</li><li>Anti-glare technology (Default)</li></ul> |

## System Specification

|                  |   |
|------------------|---|
| Processor        | Intel® Core™ i5-7200U Kaby Lake, 2.5 GHz (Turbo up to 3.10 GHz) |
| System Memory    | 4GB SODIMM DDR4-2400 (up to 16GB) <sup>1</sup>                  |
| Storage 1        | 1 x 128GB M.2 SSD (up to 512GB)                                 |
| Storage 2        | Optional M.2 SSD (up to 512GB)                                  |
| Operating System | Windows 10 IoT Enterprise                                       |
| Sensors          | Light sensor/ G sensor / Gyro / E-compass                       |

## Wireless Communication

|      |                        |
|------|------------------------|
| WLAN | 802.11 a/b/g/n/ac      |
| BT   | BT 5.0                 |
| GPS  | GPS/GLONASS            |
| WWAN | Optional 4G/ LTE or 3G |

## Interface

|                   |  |
|-------------------|--|
| Docking Connector | 1 x 19-pin docking connector (Optional)                    |
| HDMI              | 1 x HDMI (Optional)  |
| Serial Port       | 1 x RS232 Serial COM Port                                  |
| LAN               | 1 x RJ45-10/100/1000 Mbps LAN                              |
| USB               | 2 x USB 3.0, 2 x USB 2.0                                   |
| USB Type-C        | 1 x USB 3.1 Type-C (Gen1) <sup>2</sup>                     |
| Power Input       | 1 x Power Jack (DC Input)                                  |
| Micro SD          | 1 x Micro SD Slot  |
| Audio Connector   | 1 x Headphone Combo Jack                                   |
| Service Window    | Access to 1 x mini PCI-e WWAN card                         |
| Expansion Window  | 1 x Optional Expansion Window (Smart Card Reader/ Barcode) |

## Keyboard and Input

|        |  |
|--------|--|
| Touch  | <ul style="list-style-type: none"><li>10-point multi-touch, support Hand / Gloves, Rain Mode, and Active Pen</li></ul>   |
| Button | <ul style="list-style-type: none"><li>On-screen QWERTY keyboard</li><li>7 membrane keys: 1 x power, 1 x menu, 3 x function key (Programmable function key)</li></ul> |

## Status Indicators

|                |                         |
|----------------|-------------------------|
| LED Indicators | Power, Battery, SSD, RF |
|----------------|-------------------------|

## Audio

|            |  |
|------------|--|
| Microphone | 1 x built-in Digital Mic with Noise Cancellation |
| Speaker    | 2 x 1 watt speaker                               |

## Cameras

|             |  |
|-------------|--|
| Web Camera  | 2MP webcam                                   |
| Rear Camera | 5MP rear camera with autofocus and LED light |

## Data Capture

|                   |  |
|-------------------|--|
| Barcode Reader    | Optional 1D/2D barcode reader <sup>3</sup>     |
| Smart Card Reader | Optional built-in smart card reader            |
|                   | Comply with ISO7816-1.2.3 T=1 and T=Ø protocol |
| RFID              | Optional HF RFID Reader 13.56 MHz              |

## Certifications

|                |                 |
|----------------|-----------------|
| Certifications | CE, FCC, IC, UL |
|----------------|-----------------|

## Security Function

|                          |   |
|--------------------------|---|
| Security                 | <ul style="list-style-type: none"><li>Trusted Platform Module (TPM) V2.0<sup>4</sup></li><li>Computrace theft protection agent<sup>5</sup></li><li>Kensington lock slot</li></ul> |
| Mobile Device Management | SOTI Mobicontrol compatible   |

## Mechanical and Environment

|                       |   |
|-----------------------|---|
| Dimension (W x L x H) | 338.2 x 240 x 30 mm (13.3 x 9.4 x 1.18 inches) <sup>6</sup> |
| Housing               | Rear Magnesium Alloy Die-Casting Design                     |
| Cooling System        | Fanless thermal design                                      |
| Weight                | 2.4 Kg (Without Kickstand), 2.5 Kg (With Kickstand)         |
| Operating Temperature | -10°C to 50°C (14°F to 122°F)                               |
| Storage Temperature   | -20°C to 60°C (-4°F to 140°F)                               |
| Humidity              | 30% to 80% RH, non-condensing                               |
| IP Proof              | IP65  |
| Shock                 | MIL-STD-810G Method 516.6 Procedure I                       |
| Vibration             | MIL-STD-810G Method 514.6 Procedure I                       |
| Drop                  | MIL-STD-810G Method 516.6, 4 ft                             |

## Power Management

|                        |  |
|------------------------|--|
| Power Input            | 19V DC   |
| Battery                | 7.4V, typ. 10280 mAh Li-Polymer Battery (2S2P) Optional Hot-Swap |
| Battery Operating Time | 11 Hours (BAPCo TabletMark v3) <sup>7</sup>                      |
| Adapter                | 100-240V, 50-60Hz / 19V DC                                       |

## Accessories

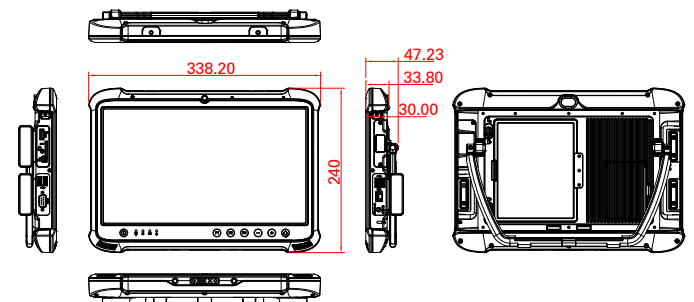
### Standard Accessories

|                              |              |
|------------------------------|--------------|
| Adapter and PowerCord        | 922D065W19V6 |
| Standard Battery             | 98KT00A0000R |
| Stylus                       | 9B000000006U |
| Stand with Integrated Handle | 98KT00A0000U |

### Optional Accessories<sup>8</sup>

|                     |              |
|---------------------|--------------|
| VESA Mounting Kit   | 98KT00A0000Q |
| VESA Mounting Kit 2 | 98KT00A00019 |
| RAM Mounting Kit    | 98K000A0007Z |
| Shoulder Strap      | 9B000000007I |
| Battery Charger     | 98JT00A00001 |
| Vehicle Charger     | 9226065W19V0 |
| Desk Docking        | 98DT00A0000Y |

## Drawing<sup>9</sup>



Caution

Do Not Expose the Battery Pack to Excessive Heat, or Extreme Heat (Near Fire, in Direct Sunlight for example)  
Do not expose bare skin to this product when handling this unit in extreme hot or cold environments

- Total usable memory will be less depending upon actual system configuration.
- Barcode and smart card readers are mutually exclusive options.
- The USB Type-C connector follows USB 3.0 standard, which does not support Alternate Mode (ALT) or USB Power Delivery (USB-PD).
- TPM 2.0 available upon request.
- Computrace theft protection and SOTI are available upon request.
- Length measurements do not include protrusions. Weight varies with options.
- Measured at dimming LCD brightness. Varies depending on the usage conditions, or when an external device is attached.
- Accessories and Integrated Options may vary depending on your configuration.
- This is a simplified drawing and some components are not marked in detail.