

M101PR, 10.1-inch Rugged Tablet PC

A Rugged Tablet that Can Survive Any Environment and Get Real Work Done

M101PR is a rugged tablet PC with robust set of features designed to operate in heavy duty environments while providing high tech solutions that increase productivity, improve safety, and reduce operational costs. The processing power comes from Intel's Pentium N4200 Apollo Lake processor paired with genuine Intel graphics for high performance. The tablet features a brilliant, in-plane switching with direct optical bonding, 4-wire resistive touchscreen, which is outdoor viewable and offers 1920 x 1200 pixel resolution. Weighing at just 2.65 pounds (approx. 1200 grams) the M101PR delivers lightweight mobility in a rugged tablet.



Highlights

- Intel® Pentium® N4200 Apollo Lake Processor
- 10.1" 1920 x 1200 IPS LED Panel with direct optical bonding
- Optional 1D/2D Barcode Reader and HF RFID for data collection
- Hot-swappable battery design with optional high capacity battery pack
- IP65 waterproof and dustproof
- Rated for extreme temperature use
- Optional Expansion port for USB / RS232 connection
- 4-wire resistive touch

*Please consult your reseller or Winmate representative before purchasing.

*Accessories and Integrated Options may vary depending on your configuration. Visit Winmate website for more accessories and details.

M101PR, 10.1-inch Rugged Tablet PC

A Rugged Tablet that Can Survive Any Environment and Get Real Work Done

Display Specification

Size	10.1-inch IPS display with LED Backlight
Resolution	1920 x 1200 WUXGA
Panel Brightness	8-800 nit With direct optical bonding for sunlight readable
Touch	4-wire resistive
Contrast Ratio	800:1
Viewing Angle	85/85/85/85
Technology	<ul style="list-style-type: none">• Ambient light sensor, e-compass, gyro, acceleration sensors• Automatic screen rotation• Intel HD Graphics (built-in CPU) video controller

System Specification

Processor	Intel Pentium N4200 Processor 1.10 GHz, up to 2.50 GHz with turbo boost technology
System Memory	4GB SODIMM DDR3L-1600 (up to 8GB) ¹
Storage	128GB solid state drive (SSD) Optional up to 512GB, up to 128GB additional storage with micro SDXC card slot
Operating System	Windows 10 IoT Enterprise (64 bit)

Wireless Communication

WLAN	802.11 a/b/g/n/ac
Bluetooth	Bluetooth 5.0
GNSS	GPS, GLONASS
WWAN	Optional 4G LTE

Interface

Docking Connector	1 x 19-pin docking connector
HDMI	1 x Micro HDMI (Optional)
USB	1 x USB3.0 (Type A), 1 x USB3.0 (Type C) ²
Power Input	1 x Power Jack
Micro SD	1 x Micro SD Slot
Audio Connector	1 x Audio Combo connector (Mic in or Line Out)
Expansion Port	1 x Expansion Connector for USB 2.0 / Full RS232 (Optional)

Keyboard and Input

Touch	<ul style="list-style-type: none">• Single touch, supports finger, stylus, glove touch input
Button	<ul style="list-style-type: none">• On-screen QWERTY keyboard• Button 1 x power, 1 x Home, 2 x volume key, 2 x function key (Programmable function key configured by Hottab Utility)
LED Indicators	Power, Battery, HDD, RF

Audio

Microphone	Built-in dual Digital Mic with Noise Cancellation
Speaker	2 x 1 watt speaker

Cameras

Web Camera	2MP webcam
Rear Camera	8MP rear camera with autofocus and LED light

Data Capture

Barcode	Optional 1D/2D Barcode Reader
HF RFID	Optional HF RFID reader 13.56 MHz

Security Function

Security	<ul style="list-style-type: none">• Password security for user and hard disk lock• Trusted Platform Module (TPM) 2.0 ³• Kensington Lock
Mobile Device Mgmt.	SOTI Mobicontrol compatible ⁴

Standards and Certification

EMC	CE, FCC
-----	---------

Mechanical and Environment

Dimension (W x L x H)	271.8 x 197.2 x 19 mm (10.7 x 7.76 x 0.75 inches) ⁵
Weight	1.2 kg (2.65 lbs) with standard battery, 1.4 kg (3.1 lbs) with optional high capacity battery
Operating Temperature	-20°C to 60°C (AC mode), -10°C to 50°C (Battery mode)
Storage Temperature	-30°C to 70°C (-22°F to 158°F)
Humidity	10% to 90% RH, non-condensing
IP Proof	IP65 certified, Dustproof and waterproof
Shock	MIL-STD-810G Method 516.6 Procedure I
Vibration	MIL-STD-810G Method 514.6 Procedure I
Drop	MIL-STD-810G Method 516.6, 4 ft ⁶

Power Management

Power Input	12-19V DC
Battery	7.4V, typ. 5140 mAh Li-Polymer Battery (2S1P) 7.4V, typ. 10280 mAh Li-Polymer Battery (2S2P, optional)
Battery Operating Time	Std. Battery: 8 hours ⁷
High Capacity Battery:	16 hours ⁷
Adapter	100-240V, 50-60Hz / 19V DC

Accessories

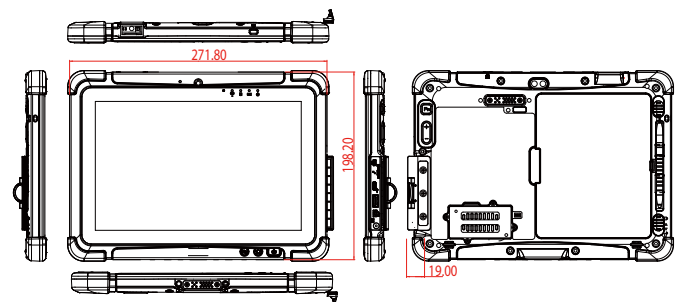
Standard Accessories

Adapter and Power Cord	922D065W19V1
Capacitive Stylus	9B0000000415
Standard Battery	98K000A0003T

Optional Accessories ⁸

Desk Dock	98D00A0000E
Vehicle Dock (without VGA output)	98K000A0003L
Battery Charger	98KT00A0000F
Smart Card Reader	98K000A0003U
High Capacity Battery	98K000A0003S
Hand Strap	98K000A0003J
UHF RFID Reader	98K000A0004J
VESA Mount Kit	98KT00A0001H
Shoulder Strap	98K000A0003Q
Carry Bag	9B000000003J
Micro HDMI Cable	9491191190K1
Vehicle Charger	9226065W19V0
USB-C to Ethernet Adapter	9AN000000001
USB-C to RS232 Adapter	9AN00000000L
USB-C to USB-A Hub	9AN00000000J

Drawing ⁹



Do Not Expose the Battery Pack to Excessive Heat, or Extreme Heat (Near Fire, in Direct Sunlight for example)

Do not expose bare skin to this product when handling this unit in extreme hot or cold environments

Caution

1. Total usable memory will be less depending upon actual system configuration.
2. The USB Type-C connector follows USB 3.0 standard, which does not support Alternate Mode (ALT) or USB Power Delivery (USB-PD).
3. TPM 2.0 available upon request.
4. SOTI is available upon request.
5. Length measurements do not include protrusions. Weight varies with options and active pen.
6. The drop test with high-capacity battery must come with hand strap.
7. Measured at dimming LCD brightness. Varies depending on the usage conditions, or when an external device is attached.
8. Accessories and Integrated Options may vary depending on your configuration.
9. This is a simplified drawing and some components are not marked in detail.