

# FM07, 7-inch Vehicle Mounted Computer

A Rugged Vehicle Mounted Computer for Data Collection in Warehouse and Logistics Applications

The FM07, Winmate's rugged 7-inch vehicle mounted computer, brings a compact design to a leading class of vehicle-mount computers without making any compromises. The compact size of the device allows for the vehicle operator to maintain unobstructed line-of-sight during operations, increasing efficiencies and minimizing errors. The VMC contains an Intel Celeron N3350 Apollo Lake processor and a 1024 x 600 resolution P-Cap multi-touch screen to allow you to manage your data easily in a user-friendly package. The FM07 is suited for a variety of industrial applications, from warehouse management, transportation logistics, to airport ground handling operations.



## Highlights

- Intel® Celeron N3350 (Apollo Lake) Processor
- 7" 1024 x 600 panel with projected capacitive multi-touch screen
- Wide power input 9-36V DC with ignition
- M12 waterproof connectors
- IP65 waterproof and dustproof
- Wi-Fi, BT, WLAN and GPS for wireless connectivity
- Wide operating temperature range -20°C to 60°C
- Shock and vibration resistance according to MIL-STD-810G

# FM07, 7-inch Vehicle Mounted Computer

A Rugged Vehicle Mounted Computer for Data Collection in Warehouse and Logistics Applications

## Display Specification

Size	7-inch display
Resolution	1024 x 600
Brightness	1000 nit
Touch	Projected capacitive multi-touch
Contrast Ratio	700:1
Viewing Angle	75/75/75/70

## System Specification

Processor	Intel® Celeron N3350, 2M Cache
System Memory	2GB SODIMM DDR3L-1600 (up to 8GB) <sup>1</sup>
Storage	64GB M.2 solid state drive SSD
Operating System	Windows® 10 IoT Enterprise, Ubuntu 16.04

## Wireless Communication

WLAN	802.11 a/b/g/n/ac
Bluetooth	Bluetooth 4.0
GPS	u-Blox Neo-M8N
WWAN	Optional 4G/ LTE or 3G.

## Interface

Computer	1 x RS232 1 x Gigabit Ethernet LAN 10/100/100 Mbps (M12 type) 1 x Power input 9-36V DC with ignition 1 x SIM Card Slot 2 x USB 5 x DI; 3 x DO 2 x CANBUS Wi-Fi Antenna Bluetooth Antenna Optional WWAN Antenna Optional GPS Antenna
----------	---

## Keyboard and Input

Touch	Projected capacitive
Button	• On-screen QWERTY keyboard • Front : 5 x function key (Programmable function key configured by Hottab Utility) • Top : 1 x Power button
LED Indicators	Power, Storage

## Audio

Speaker	1 Watt speaker, located on the back cover
---------	---

## Mechanical and Environment

Dimension (W x L x H)	189.93 x 145.93 x 39.8 mm (7.47 x 5.75 x 1.56 inches) <sup>2</sup>
Weight	1.0 kg (2.20 lbs)
Housing	Back cover aluminum housing
Mounting	RAM Mount, VESA Mount (75x75mm)
Cooling System	Fanless design
Operating Temperature	-20°C to 60°C (-4° to 140° F)
Humidity	10% to 95% RH, non-condensing
IP Proof	IP65, dustproof and waterproof
Shock	MIL-STD-810G Method 516.6 Procedure I, 30 g for 18 ms, 300 m/s <sup>2</sup>
Vibration	MIL-STD-810G Method 514.6 Procedure I, 1.60/ 1.96/ 2.18 g rms for XYZ/ 5-500 Hz
Certifications	CE, FCC, E-Mark

## Power Management

Power Input	9V-36V, with ignition control
-------------	-------------------------------

## Accessories

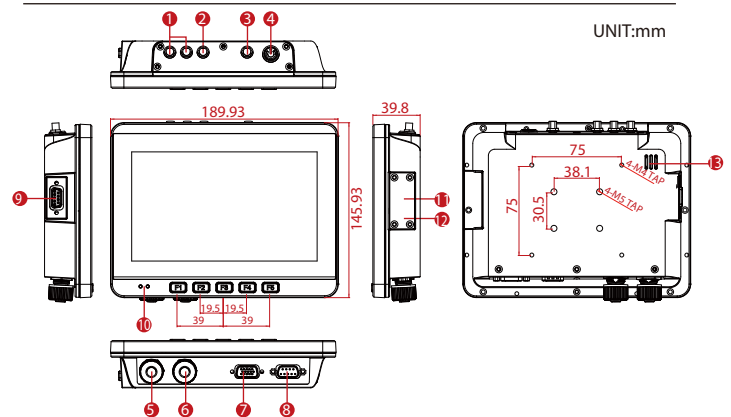
### Standard Accessories <sup>3</sup>

User Guide	91521111109C
Driver CD	91711111103X
M12 Power Cable	94J004L040K1
M12 LAN Cable	94I0120080K0
USB Cable	9483098080K0
RS232 Cable	94G3094090K2
CANBUS Cable	94E215L140K0
WIFI Antenna	397SM0000002

### Optional Accessories

Audio Cable	94E215R060K0
Mounting Kit 1 – No Drill Solution	98K000A0005Y
Mounting Kit 2 – Drill Solution	98K000A0006P
Mounting Kit 3 - Keyboard Mounting	98K000A000A0
WWAN Antenna	397SM000000C
GPS Antenna	397SM000000G

## Drawing <sup>4</sup>



- |                            |                   |
|----------------------------|-------------------|
| 1. WWAN Antenna (Optional) | 7. CANBUS / DIDO  |
| 2. GPS Antenna (Optional)  | 8. RS232          |
| 3. Wi-Fi Antenna           | 9. 2 x USB        |
| 4. Power Button            | 10. LED           |
| 5. 9-36V DC with Ignition  | 11. SIM Card Slot |
| 6. LAN                     | 12. Reset Button  |
|                            | 13. Speaker       |



Do not expose bare skin to this product when handling this unit in extreme hot or cold environments

- Total usable memory will be less depending upon actual system configuration.
- Length measurements do not include protrusions. Weight varies with options.
- Accessories may vary depending on your configuration.
- This is a simplified drawing and some components are not marked in detail.