

Rugged Handheld Device 5.7"

G570Z

Model Name : R05I98H-RTD1

Product Features:

- Supported Windows XP embedded
- High brightness 480 x 640 LED display
- High transmission Resistive touch
- 2 megapixel digital camera with LED auxiliary backlight
- Embedded with Micro SD card slot
- Designed for IP65 Dust & Water Protection
- Compliant with MIL-STD 810F Standard
- Optional 1D / 2D Barcode reader/ RFID reader
- Optional 3G Module



Standard

Barcode Reader

UHF-RFID Reader

Product Specifications:

System Specification	Processor	Intel® Atom Z510 1.1GHz
	System Memory	1 x SODIMM 1GB DDR2 400/533 (Max 2GB)
	Storage	1 x PATA (Mini PCI-E Interface) SSD Slot 16GB (max 128 GB)
	Operating System	Windows XP embedded
Display Specification	Size	5.7"
	Resolution	480 x 640
	Brightness	500 (typ.)
	Touch	Resistive
Wireless Communication	WLAN	Support 802.11 2.4GHz b/g/n mode
	Bluetooth	Bluetooth Class2 BT2.1+EDR
	WWAN	Optional 3G Module (support HSPA/ UMTS / GPRS / WCDMA / GSM)
	GPS	Built-in GPS module
Mechanical and Environment	Dimensions (W x L x H)	120 x 200 x 48 mm (Standard)
	Weight	930g (Standard)
	Operation Temperature	-10°C to 50°C
	Operation Humidity	95% RH, non-condensing
	IP Proof	IP65
	Shock	Shock MIL-STD-810F M516.5
	Vibration	Vibration MIL-STD-810F M514.5
	Drop	MIL-STD-810F M516.5, 4 ft, Free to concrete
Certifications	CE, FCC class B, UL,CCC	
I/O Connectors	Left I/O Connectors	1 pogo pin for docking
	Right I/O Connectors	1 x RJ-45 10/100/1000 Mps LAN , 1 x USB 2.0 , 1 x Audio Line-out, Micro-in Jack, 1 x 2.5Ø Power Input Jack, 1 x Sim Card Slot (Optional), 1 x Micro SD Card Slot (Up to 16GB SDHC Card, Optional)
	Upper IO Connectors	1xBattery Connector
	Downside I/O Connectors	1 x 10/100 Fiber Module (Optional)
	Battery	2 x Li-Ion batteries 2600mAh, 7.4V (support Hotswap function)
	Battery Mark Ver. 4.0.1	7hrs 10mins
Adapter	100-240V, 50-60Hz, 12VDC	

Order Information:

Model Name	Config
R05I98M-RTD1	Default, no options added
R05I98M-RTD1/RF	With RFID Reader
R05I98M-RTD1/BR	With Barcode Reader
R05I98M-RTD1/3G	With 3G
R05I98M-RTD1/3R	With 3G + RFID Reader
R05I98M-RTD1/3B	With 3G + Barcode Reader

Accessories:

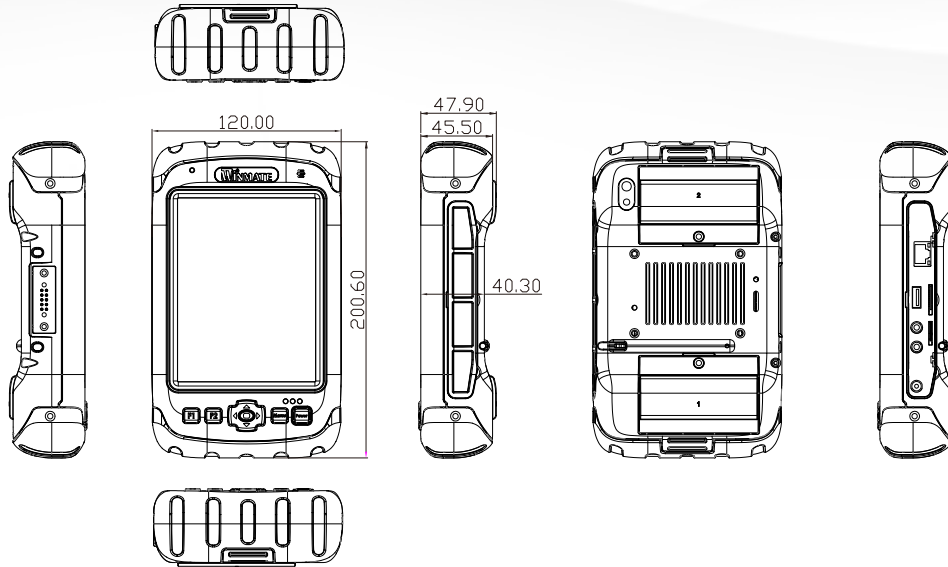
Default	Quick Start Guide (Paper)
	User Manual & Recovery CD
	Hand Strap
	100-240V, 50-60Hz, 12VDC Adapter
	Touch Pen
Optional Items	Vehicle docking station
	Carry bag
	Car power charger
	Portable Printer

Rugged Handheld Device 5.7"

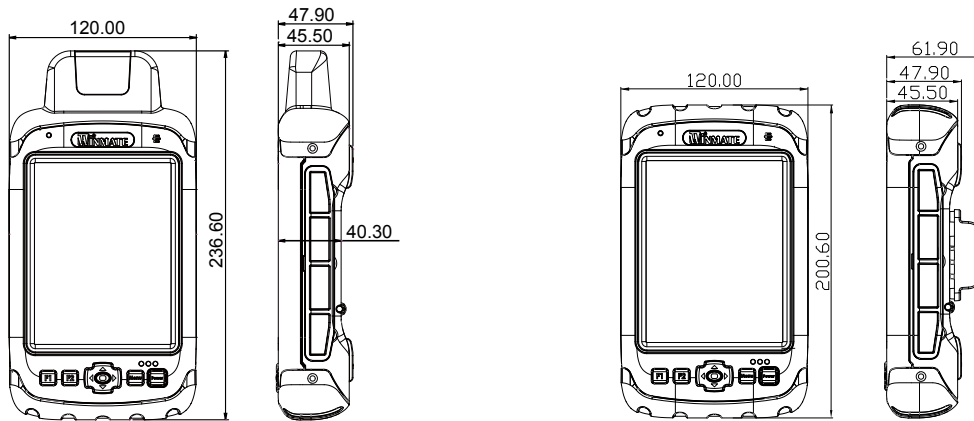
S570t

Model Name : R05I98H-RTD1

Dimensions :



Standard



Barcode Reader

UHF-RFID Reader

Optional specification:

◆ 1D/2D Barcode Reader Specification

Barcode Reader : 2D Scan Module
 2D Support : QR Code, Data Matrix, PDF417, Maxicode, Aztec
 1D Support : Code 39, Code 128, Codabar, EAN-13, EAN-8, UPC-E, UPC-A, Interleaved 2 of 5, Code 93, ISBN/ISSN, China post 25.

◆ RFID reader Specification

UHF RFID Reader : Support EPC C1 GEN/
 ISO 18000-6C (840~960MHz)
 The default frequency is set to 920~925MHz.
 Other Frequency is for optional.

Barcodes	Density (mil)	Near (mm)	Far (mm)
Code 39	5	55	115
Code 39	10	30	215
PDF417	5	50	105
PDF417	10	30	215
QR Code	10	25	135
QR Code	15	25	210
Datamatrix	10	25	150
Datamatrix	15	20	220

Reference Standards:	EPC C1 GEN2/ISO 18000-6C
Operating Frequency:	840~960 MHz
Scan Field	1.2M

Rev.	Reasons	Revised Date
1.0	First release	Oct.13.11
1.1		
1.2		