

G-WIN[®] Ruggedized Panel PC

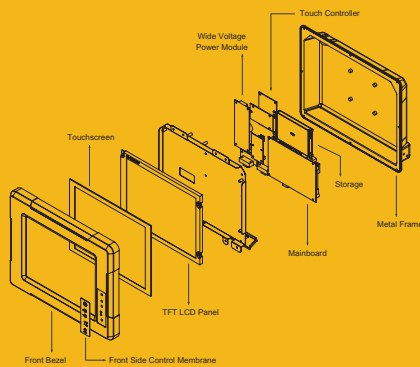
ruggedized

Model Number : R10I53S-VMP1



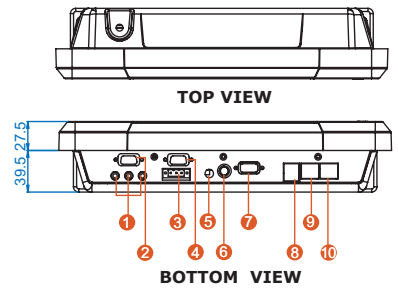
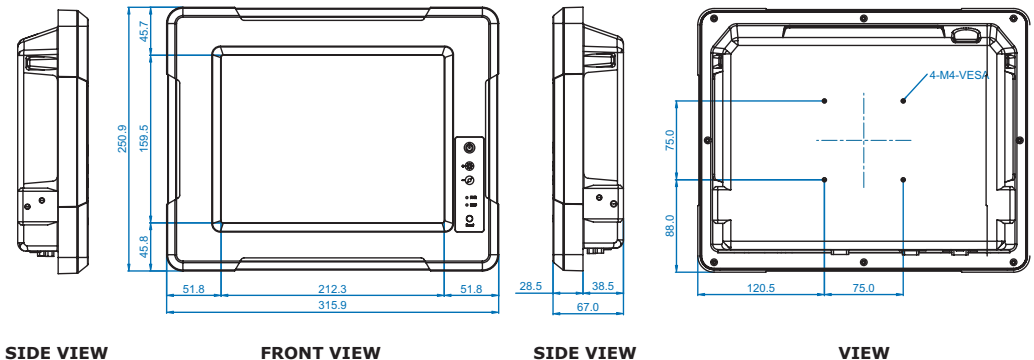
Optional for Mounting Bracket

Modularized Construction



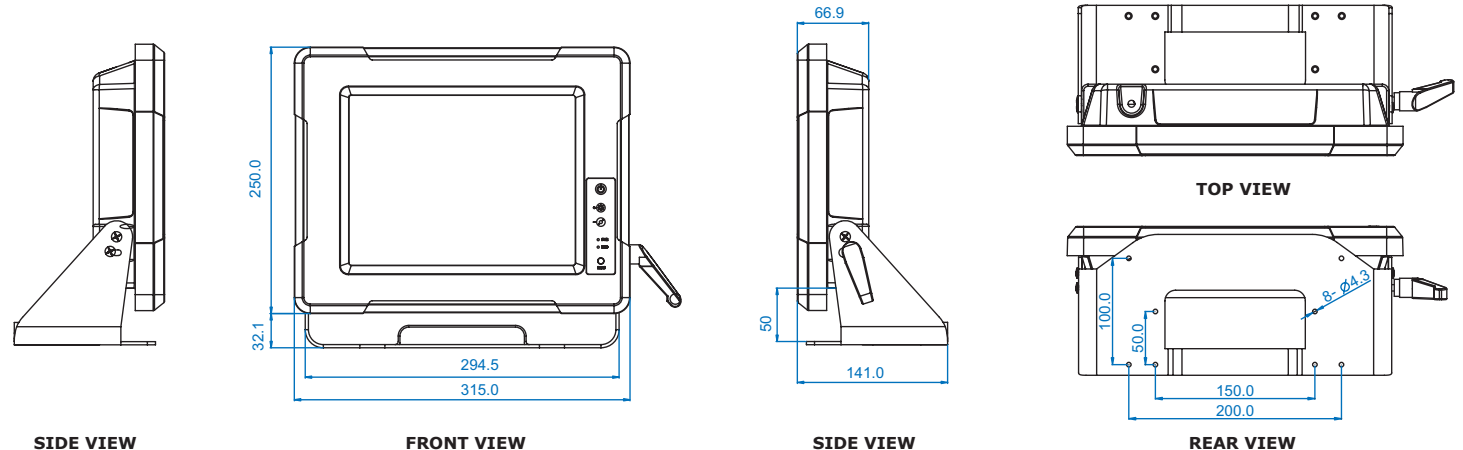
Features :

- Intel Celeron M Processors 1.0 GHz
- High Quality 10.4" Panel, 800x600 resolution
- Full IP65 Dust/Water Proof Enclosures (Except I/O parts)
- Aluminum Housing with Anti-Corrosion Treatments
- Anti-Shock and Vibration Standard according to MIL810F & IEC60068-2-27
- 5 Wire Resistive / Infrared Touchscreen / Anti-Reflective Protection Glass (Optional)
- 802.11b/g Wireless LAN with Antenna (Optional)
- Wide Range 8 to 36V DC Input Acceptable (Optional)
- Transflective Sunlight Readable (Optional)



- 1. Line in, Line out , Micro in
- 2. COM2 (optional)
- 3. DC Terminal Block (optional)
- 4. COM1
- 5. DC Lockable Input (Default)
- 6. PS/2
- 7. VGA
- 8. USB 1.2
- 9. LAN1
- 10. LAN2

Drawing w / Mounting Bracket



Measurements shown in mm / All Dimensions are ± 0.5 mm

System Specification

- Processor : Intel® Celeron M 1GHz Processor (OnBoard)
- BIOS : Award 4Mbit Flash
- System Chipset : Intel® 855GME / ICH4 Chipset
- System Memory : 1 x SO-DIMM, Max 1GB DDR 333
- Wireless(Optional) : 1x Mini PCI base Wireless LAN card with SMA antenna
- LAN Controller : Dual Realtek RTL8111B GigaLAN
- Storage : 2.5" 40G HDD
- Expansion Slot : 1 x Mini PCI, 1 x CF

Mechanical and Environment

- Dimensions (W x L x H) : 315 mm x 250 mm x 67mm
 - Power Input : 12V DC w/ lockable connector
 - Power Consumption : 64W typ.
 - Operating Temperature : -10 deg.C to 55 deg.C
 - Operating Humidity : 10% to 95% (non condensing)
 - Mounting : VESA mount, Vehicle mount
 - Shock * : Operating:30g for 18ms, 300m/s²
 - Vibration * : Operating: 1.60/1.96/2.18 g rms for XYZ / 5-500Hz
- * When use SSD or Industrial Compact Flash

I/O Connectors

- Back Panel : 2 x RJ-45(10/100 Mbps, Optional GigaLAN)
- I/O Port : 1 x PS/2
- : 1 x VGA(DB-15)
- : 1 x DC-in Jack(Lockable)
- : 2x USB 2.0
- : 1 x Line in, Line out, Micro in
- : 1 x RS232, 1x RS232/422/485(Optional)
- : 1 x WLAN antenna SMA in top (Optional)

Certifications

- CE
- FCC ClassB
- MIL810F/IEC60068-2-27 for Vibration /Shock

In Fornt Control

- Control Button : Power On/ Off
- Reset
- Brightness Up (up to 100%)
- Brightness Down (dim to 0%)
- LED indicator : Power On/ Off
- HDD Status

Product Optional Items

Mounting Bracket and Kits	One robust bracket with locking handle (Can adjust from -5deg. to 90deg.)
Sunlight Readable	Transflective film enhancement for optional
Wide Temperature	N / A
Operation System	Windows XP embedded, Windows XP, Windows CE 5.0, Linux 2.6.11
Storage	2.5" Automobile 40G HDD, 2.5" 4G Flash Disk (SSD), 4G Industrial Compact Flash Card
Touch/ Anti-reflective Glass	Infrared Touchscreen, 3mm Anti-reflective Protection Glass
WLAN	Mini PCI base Wireless LAN card with SMA antenna
Wide Power Input Range	8V to 36V wide range acceptable for optional
Terminal Block	Pluggable 3pin terminal block power input

Display Specification

- Size : 10.4 inches
- Resolution : 800x600 pixels
- Brightness : 350 (cd/m²)
- Touch(Optional) : 5 Wire Resistive / IR Touch