

G-WIN[®]

Ruggedized LCD Display

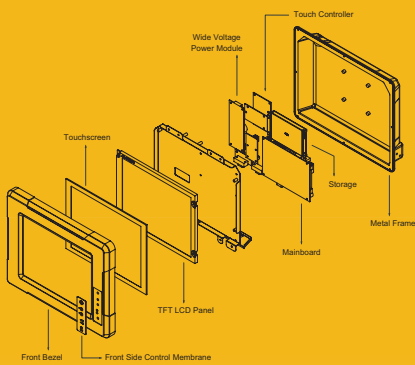
ruggedized

Model Number : R10L100-VMM3



Optional for Mounting Bracket

Modularized Construction



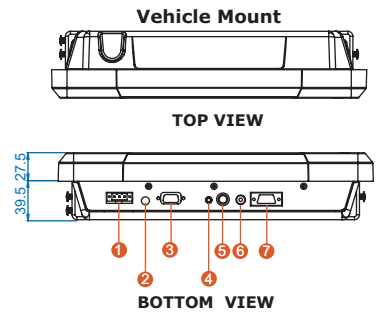
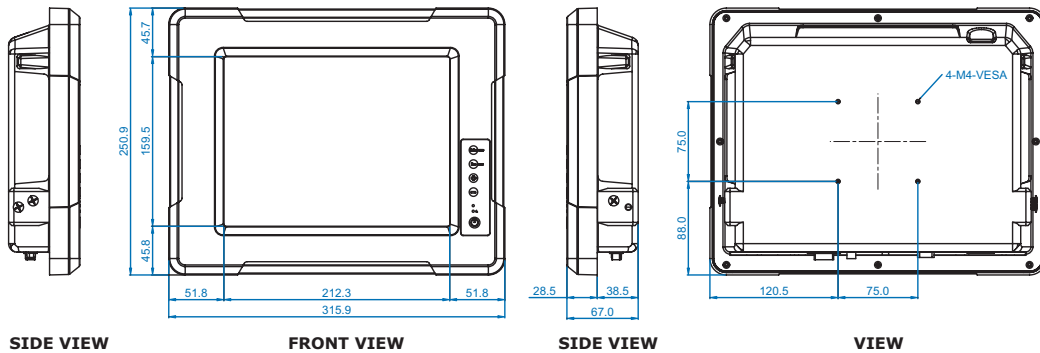
Features :

- High Quality 10.4" XGA Panel, 1024x768 resolution
- Full IP65 Dust/Water Proof Enclosures (Except I/O parts)
- Aluminum Housing with Anti-Corrosion Treatments
- Anti-Shock and Vibration Standard according to MIL810F & IEC60068-2-27
- 5 Wire Resistive / Infrared Touchscreen / Anti-Reflective Protection Glass (Optional)
- Wide Range 8 to 36V DC Input Acceptable (Optional)

G-WIN[®] Ruggedized LCD Display

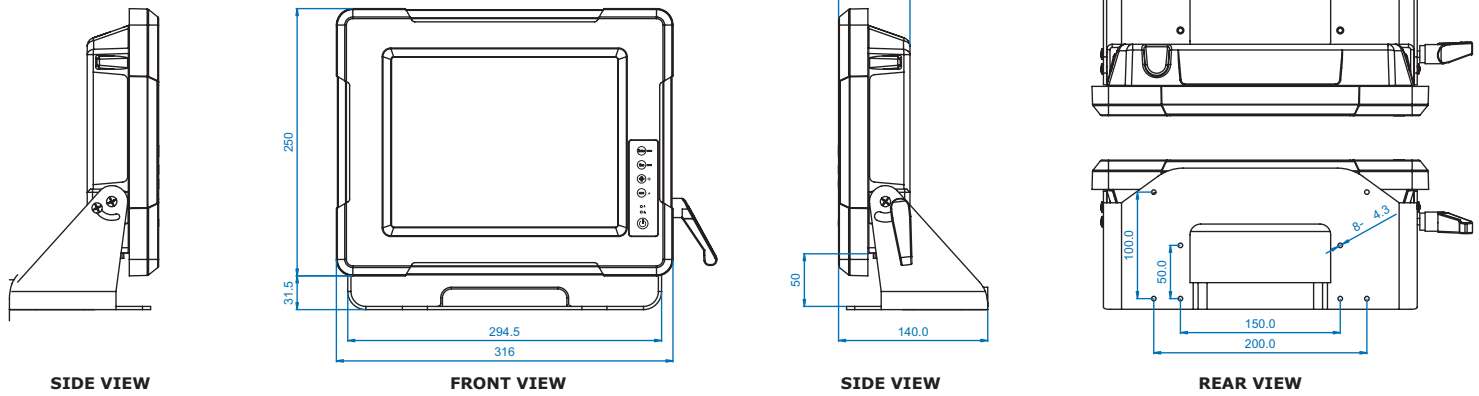
ruggedized

Model Number : R10L100-VMM3



- Vehicle Mount**
- TOP VIEW**
- BOTTOM VIEW**
1. 1.8-36V DC Terminal Block (Optional)
 2. DC Lockable Input (Default)
 3. RS232 for Touch (Optional for touch)
 4. Line out (Optional)
 5. S-Video (Optional)
 6. Composite (Optional)
 7. VGA

Drawing w / Mounting Bracket



Measurements shown in mm / All Dimensions are ± 0.5 mm

* Note: this is a simplified drawing and some components are not marked in detail. Please contact our sales representative if you need further product information.

Display Characteristics

- Pixel Number : 1024 x 768
- Pixel Pitch (mm) : 0.0685 (H) x 0.2055 (V) mm
- Contrast Ratio : 1200 : 1 (typ.)
- Brightness : 350 cd/m² (typ.)
- Viewable Angle(CR \geq 10): -88~88 (H); -88~88 (V)
- Active Display Area : 210.4(H) x 157.8(V) mm
- Max Colors : 16.2M (6bits/color)
- Touch (Optional) : 5 Wire Resistive / IT Touch

Mechanical and Environment

- Dimensions (W x L x H) : 315 mm x 250 mm x 67mm
- Power Input : 12V DC w/ lockable connector
- Power Consumption : 20W typ.
- Operating Temperature : -10 deg.C to 55 deg.C
- Operating Humidity : 10% to 95% (non condensing)
- Mounting : VESA mount, Vehicle mount
- Shock : Operating: 30g for 18ms, 300m/s²
- Vibration : Operating: 1.60/1.96/2.18 g rms for XYZ / 5-500Hz

I/O Connectors

- Back Panel I/O Port : 1 x VGA(DB-15)
- : 1 x DC-in Jack(Lockable)
- : 1x RS232 for Touch Screen(Optional w/ touch)

Certifications

- CE
- FCC ClassB
- MIL810F/ IEC60068-2-27 for Vibration / Shock

In Front Control

- Control Button : Menu / Enter Button
- : Auto-adjust / Esc Button
- : Brightness Up / Increase Button
- : Brightness Down / Decrease Button
- : Display Power Button
- LED indicator : Power On/ Off
- : Display Sleep

Product Optional Items

Mounting Bracket and Kits	One robust bracket with locking handle (can adjust from -5deg. to 90deg.)
Video Input	Composite Video, S-Video for optional
Audio Out	Audio Line out for optional
Wide Temperature	Extended temperature -20 to 60 deg. C module build-in for optional
Touch/ Anti-reflective Glass	Infrared Touchscreen, 3mm Anti-reflective Protection Glass
Wide Power Input Range	8V to 36V wide range acceptable for optional
Terminal Block	Pluggable 3pin terminal block power input