

# G-WIN<sup>®</sup> Ruggedized Panel PC

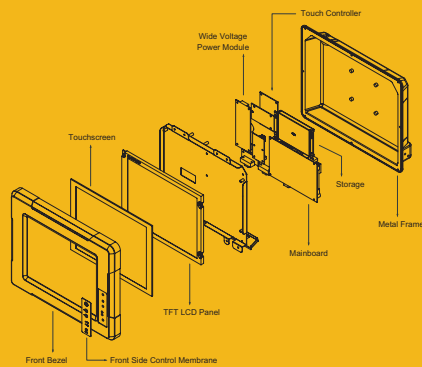
ruggedized

Model Number : R10A83S-VMM2DL



Optional for Mounting Bracket

## Modularized Construction



FRONT VIEW

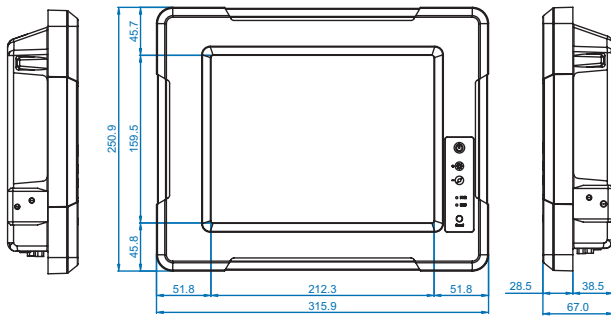


BOTTOM VIEW

## Features :

- Ultra Low Power AMD LX800 500 MHz CPU, Fanless Design
- High Quality 10.4" Panel, 800x600 resolution
- Full IP65 Dust/Water Proof Enclosures (Except I/O parts)
- Aluminum Housing with Anti-Corrosion Treatments
- Anti-Shock and Vibration Standard according to MIL810F & IEC60068-2-27
- 5 Wire Resistive / Infrared Touchscreen / Anti-Reflective Protection Glass (Optional)
- 802.11b/g Wireless LAN with Antenna (Optional)
- Wide Range 8 to 36V DC Input Acceptable (Optional)
- Transflective Sunlight Readable and Extended Temperature Range (Optional)

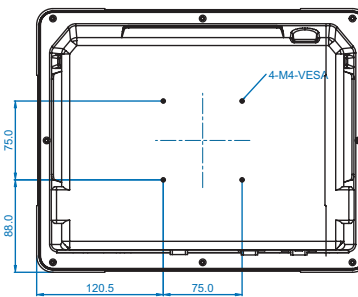




SIDE VIEW

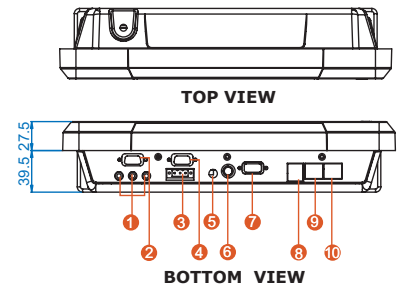
FRONT VIEW

SIDE VIEW



VIEW

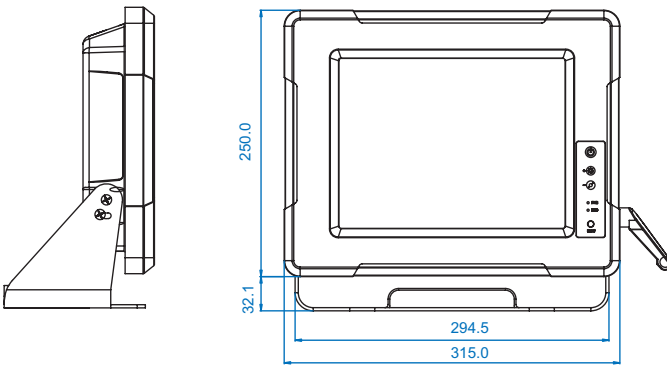
Drawing w / Mounting Bracket



TOP VIEW

BOTTOM VIEW

- 1. Line in, Line out , Micro in
- 2. COM2 (optional)
- 3. DC Terminal Block (optional)
- 4. COM1
- 5. DC Lockable Input (Default)
- 6. PS/2
- 7. VGA
- 8. USB 1.2
- 9. LAN1
- 10. LAN2



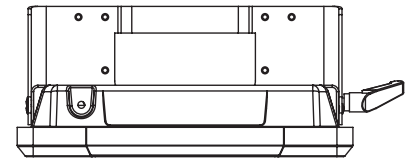
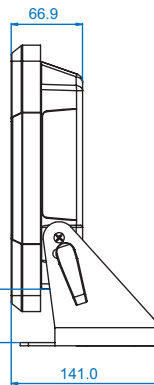
SIDE VIEW

FRONT VIEW

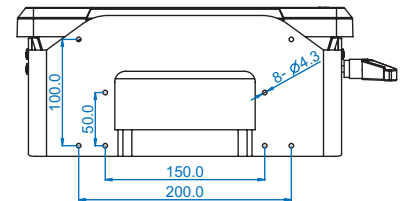
SIDE VIEW

Measurements shown in mm / All Dimensions are  $\pm 0.5$  mm

\* Note: this is a simplified drawing and some components are not marked in detail. Please contact our sales representative if you need further product information.



TOP VIEW



REAR VIEW

## System Specification

Processor	: AMD Geode LX-800 500MHz CPU
BIOS	: Award 4Mbit Flash
System Chipset	: AMD CS5536 Companion Device
System Memory	: 1 x SODIMM, Max 1GB DDR 400
Wireless (Optional)	: 1x Mini PCI base Wireless LAN card with SMA antenna
LAN Controller	: Realtek RTL8100c Chipset, 10/100 Mbps
Storage	: 2.5" 40G HDD
Expansion Slot	: 1 x Mini PCI, 1 x CF

## Mechanical and Environment

Dimensions (W x L x H)	: 315 mm x 250 mm x 67mm
Power Input	: 12V DC w/ lockable connector
Power Consumption	: 30W typ.
Operating Temperature	: -10 deg.C to 55 deg.C
Operating Humidity	: 10% to 95% (non condensing)
Mounting	: VESA mount, Vehicle mount
Shock *	: Operating:30g for 18ms, 300m/s <sup>2</sup>
Vibration *	: Operating: 1.60/1.96/2.18 g rms for XYZ / 5-500Hz

\* When use SSD or Industrial Compact Flash

## Certifications

CE  
FCC ClassB  
MIL810F/IEC60068-2-27 for Vibration /Shock

## Product Optional Items

Mounting Bracket and Kits	One robust bracket with locking handle (Can adjust from -5deg. to 90deg.)
Sunlight Readable	Transflective film enhancement for optional
Wide Temperature Range	Extended temperature -20 to 60 deg. C module build-in for optional
Operation System	Windows XP embedded, Windows XP, Windows CE 5.0, Linux 2.6.11
Storage	2.5" Automobile 40G HDD, 2.5" 4G Flash Disk (SSD), 4G Industrial Compact Flash Card
Touch/ Anti-reflective Glass	Infrared Touchscreen, 3mm Anti-reflective Protection Glass
Giga LAN	Available for 10/100/1000 Mbps Giga LAN
WLAN	Mini PCI base Wireless LAN card with SMA antenna
Wide Power Input Range	8V to 36V wide range acceptable for optional
Terminal Block	Pluggable 3pin terminal block power input

## I/O Connectors

Back Panel	: 2 x RJ-45(10/100 Mbps, Optional GigaLAN)
I/O Port	: 1 x PS/2 1 x VGA(DB-15) 1 x DC-in Jack(Lockable) 2x USB 2.0 1x RS232, 1x RS232/422/485(Optional) Line in, Line out, Micro in WLAN antenna SMA in top (Optional)

## In Front Control

Control Button	: Power On/ Off Reset Brightness Up (up to 100%) Brightness Down (dim to 0%)
LED indicator	: Power On/ Off HDD Status

## Display Specification

Size	: 10.4 inch
Resolution	: 800x600
Brightness	: 400 (cd/m <sup>2</sup> )
Touch (Optional)	: 5 Wire Resistive / IR Touch