

R19IK3S-SPM169-P, 19-inch Stainless P-Series Panel PC

Stainless IP69K with Waterproof Conduit Solutions

Winmate provides 19-inch IP69K Stainless Steel Panel PC with the high performance Intel Core i5-7200U Kaby Lake processor and a waterproof conduit pipe for added cable protection. The IP69K series is built to withstand extensive wash downs with corrosion resistance against cleaning agents, especially against close-range high-pressure, high temperature wash downs. The level of protection allows for easy cleaning and sterilization using water with temperatures of up to 80°C and pressure of up to 30 Bar. A custom-built waterproof conduit pipe was also provided for the customer with a cover plate, allowing for an additional layer of protection for the panel pc cables.



** Yoke mount Stand kit is an option. accessory.*

Highlights

- Intel® Core™ i5-7200U, 2.50 GHz
- Fanless cooling system
- SUS316 / AISI 316 stainless steel for food and chemical industries
- Full IP69K waterproof enclosure, good corrosion resistance
- A true flat, easy-to-clean front surface with edge-to-edge design
- Waterproof sealed conduit pipe for cable protection
- Supports VESA mount, Panel mount and optional Yoke mount stand

R19IK3S-SPM169-P, 19-inch Stainless P-Series Panel PC

Stainless IP69K with Waterproof Conduit Solutions

Display Specification

Size	19"
Resolution	1280 x 1024
Contrast Ratio	1000:1
Brightness	250 nits
Viewing Angle	-85~85 (H); -80~80(V)
Max Colors	16.7M
Touch	Projected Capacitive Multi-Touch (P-CAP) Anti-glare coating (Optional)

System Specification

CPU	Intel® Core i5-7200U 2.5GHz
System Chipset	Intel® SoC Integrated
System Memory	4GB DDR4 2133 (Optional up to 16GB)
Storage	64GB B-key M.2 2242 (Optional up to 512GB)
BIOS	Insyde BIOS
Audio	Realtek HD Audio Codec
LAN Chip	Intel® Gigabit-LAN Controller I211AT + PHY I219LM
Operating System	Windows 10 IoT Enterprise (Optional) Ubuntu 18.04 (Optional)
WLAN	802.11 a/b/g/n/ac (Optional)

Interface

Ethernet	2 x RJ 45-10/100/1000 Mbps
Serial Ports	1 x RS-232/422/485
USB Ports	2 x USB 3.0
Power Input	1 x 3 pin Terminal Block
HDMI	1 x HDMI 1.4 output (Optional)

Keyboard and Input

Physical Buttons	Power
Touch	P-Cap

Power Management

Power Input	12V DC input with AC to DC Adapter Optional 9~36V DC input with 3 pin phoenix connector
Power Consumption	59W (typ.)(Max.backlight and high CPU load)
AC Adapter	100~240V AC to 12V DC Adapter

Mechanical Specifications

Dimensions	445 x 370 x 56mm
Cutout	427 x 352mm
Cooling System	Fanless design
Housing	SUS 316/ AISI 316 stainless steel
Mounting	VESA Mount (100x100mm), Panel mount, optional Yoke mount stand

Environment

Operating Temperature	0 °C to 45 °C
Storage Temperature	-10 °C to 60 °C
Operating Humidity	10% to 95% (non condensing)
IP Rating	IP69K

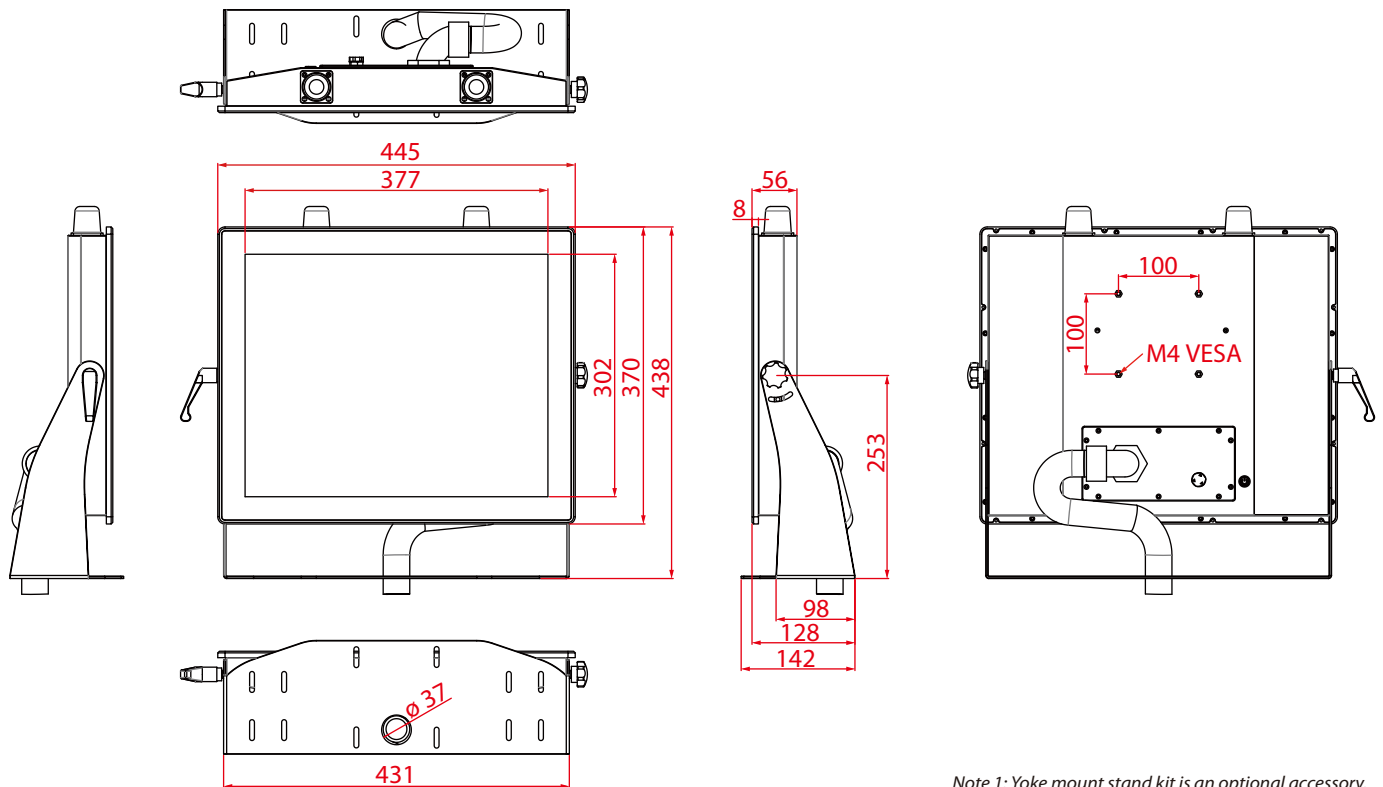
Standards and Certification

EMC	CE, FCC
-----	---------

Accessories

- 1 x Waterproof Conduit 1.5m
- 2 x Elbow for connect the conduit
- 1 x AC to DC power adapter with power cord
- Yoke mount stand kit (Optional)
- Open wire cable for phoenix connector (Default for 9~36V DC input sku)
- D-sub to RJ45 Adaptor for COM Port

Drawing



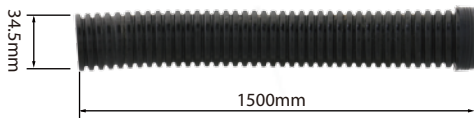
Note 1: Yoke mount stand kit is an optional accessory.
Note 2: Wi-Fi antenna is an optional feature.

R19IK3S-SPM169-P, 19-inch Stainless P-Series Panel PC

Stainless IP69K with Waterproof Conduit Solutions

Accessories

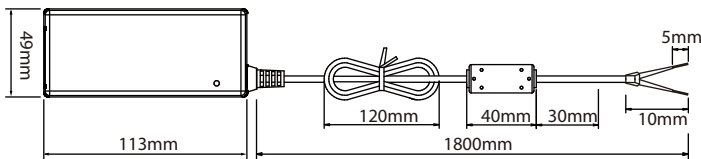
Waterproof Conduit 1.5m



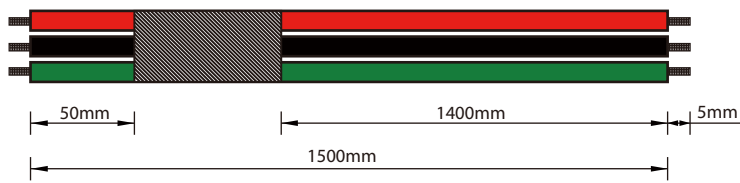
Elbow for connect the conduit



AC to DC power adapter

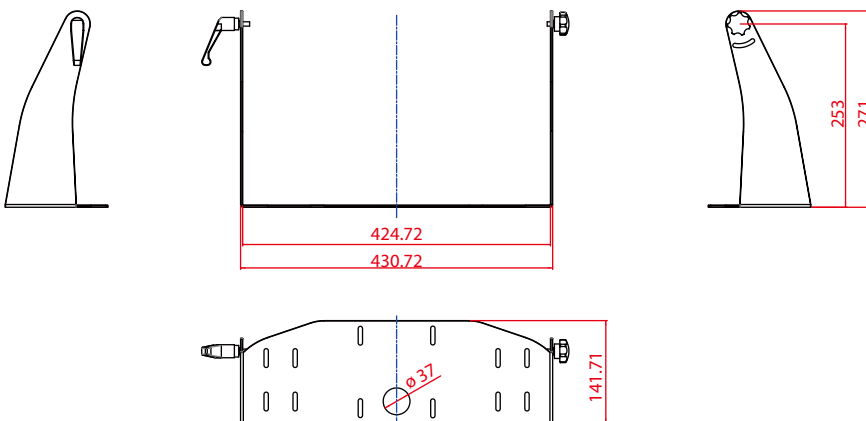


Open wire cable for phoenix connector (Default for 9~36V DC input sku)



Pin No.	Symbols	Color		Pin No.	Symbols	Color
Open wire 5mm		Red	↔	Open wire 5mm		Red
Open wire 5mm		Black	↔	Open wire 5mm		Black
Open wire 5mm		Green	↔	Open wire 5mm		Green

Yoke mount Stand kit (Optional)



D-sub to RJ45 Adaptor

