

W22IK3S-SPA369-P, 21.5-inch Stainless P-Series

Stainless IP69K with waterproof conduit Solutions

Winmate provided 21.5-inch IP69K Stainless Steel Panel PC with the high performance Intel Core i5-7200U Kaby Lake processor and a waterproof conduit pipe for added cable protection. The IP69K series is built to withstand extensive wash downs with corrosion resistance against cleaning agents, especially against close-range high-pressure, high temperature wash downs. The level of protection allows for easy cleaning and sterilization using water with temperatures of up to 80°C and pressure of up to 30 Bar. A custom-built waterproof conduit pipe was also provided for the customer with a cover plate, allowing for an additional layer of protection for the panel pc cables.



** Yoke mount Stand kit is an option. accessory.*

Highlights

- 21.5" 1920 x 1080 Resolution with P-Cap Multi-Touch
- Intel® Core™ i5-7200U, 2.50 GHz
- Fanless cooling system
- SUS 316 / AISI 316 stainless steel for food and chemical industries
- Full IP69K waterproof enclosure, good corrosion resistance
- A true flat, easy-to-clean front surface with edge-to-edge design
- Waterproof sealed conduit pipe for cable protection
- Supports VESA mount and optional Yoke mount stand

W22IK3S-SPA369-P, 21.5-inch Stainless P-Series

Stainless IP69K with waterproof conduit Solutions

Display Specification

Size	21.5" (Widescreen)
Resolution	1920 x 1080
Brightness	250 nits (typ.)
Contrast Ratio	1000:1 (typ.)
Viewing Angle	-89~89 (H);-89~89(V)
Max Colors	16.7M
Touch screen	Projected Capacitive Multi-Touch (P-CAP) Optional anti-glare coating

System Specification

Processor	Intel® Core i5-7200U 2.5GHz
Chipset	Intel® SoC Integrated
BIOS	Insyde BIOS
Graphic Chipset	Intel® HD Graphics 620
System Memory	4GB DDR4 2133 (Optional up to 16GB)
Storage	64GB B-key M.2 2242 (Optional up to 512GB)
LAN Chip	Intel® Gigabit-LAN Controller I211AT + PHY I219LM
Audio	Realtek HD Audio Codec
Operating System	Windows 10 IoT Enterprise (Optional) Ubuntu 18.04 (Optional)
WLAN	802.11 a/b/g/n/ac (Optional)

Interface

Serial Ports	1 x RS-232/422/485
USB Ports	2 x USB 3.0
HDMI	1 x HDMI 1.4 output (Optional)
Ethernet	2 x RJ 45-10/100/1000 Mbps
Power	1 x 3 pin Terminal Block

Keyboard and Input

Physical Buttons	Power
Touch	P-Cap

Power Management

Power Input	12V DC input with AC to DC Adapter Optional 9~36V DC input with 3 pin phoenix connector
Power Consumption	66W (typ.)(Max.backlight and high CPU load)

Mechanical

Cooling System	Fanless design
Mounting	VESA Mount (100x100mm)
Dimensions (W x H x D)	530.6 x 322.1 x 56 (mm)
Housing	SUS 316/ AISI 316 stainless steel

Environment

Operating Temperature	0 °C to 45 °C
Storage Temperature	-10 °C to 60 °C
Operating Humidity	10% to 95% (non condensing)
IP Rating	IP69K

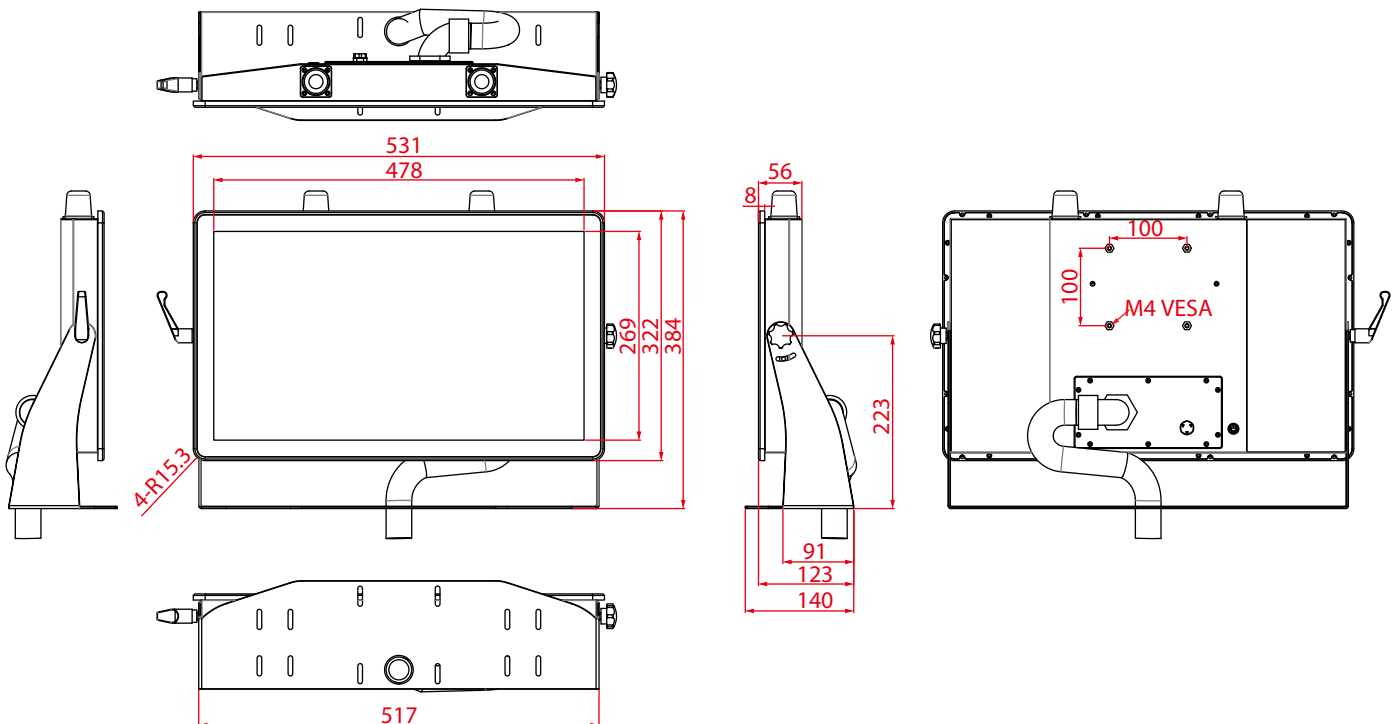
Standards and Certification

EMC	CE, FCC
-----	---------

Accessories

- 1 x Waterproof Conduit 1.5m
- 2 x Elbow for connect the conduit
- 1 x AC to DC power adapter with power cord
- Yoke mount Stand kit (Optional)
- Open wire cable for phoenix connector(Default for 9~36V DC input sku)
- D-sub to RJ45 Adaptor for COM Port

Drawing



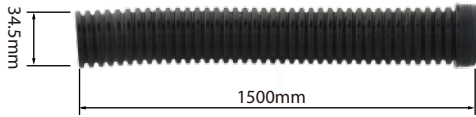
Note 1: Yoke mount stand kit is an optional accessory.
Note 2: Wi-Fi antenna is an optional feature.

W22IK3S-SPA369-P, 21.5-inch Stainless P-Series

Stainless IP69K with waterproof conduit Solutions

Accessories

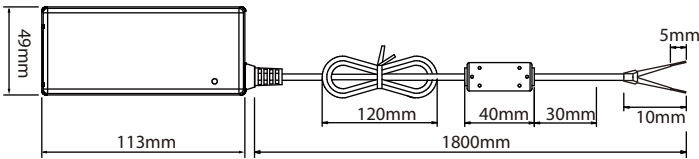
Waterproof Conduit 1.5m



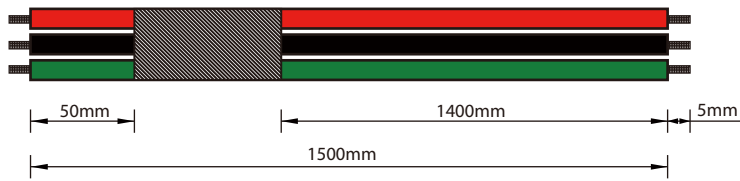
Elbow for connect the conduit



AC to DC power adapter

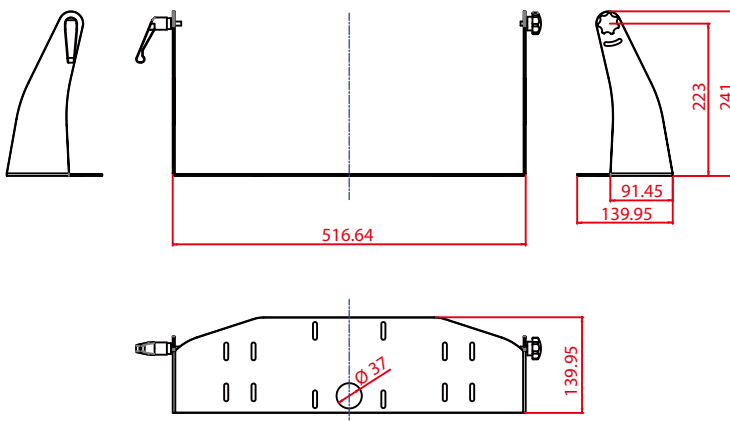


Open wire cable for phoenix connector (Default for 9~36V DC input sku)



Pin No.	Symbols	Color		Pin No.	Symbols	Color
Open wire 5mm		Red	↔	Open wire 5mm		Red
Open wire 5mm		Black	↔	Open wire 5mm		Black
Open wire 5mm		Green	↔	Open wire 5mm		Green

Yoke mount Stand kit (Optional)



D-sub to RJ45 Adaptor

