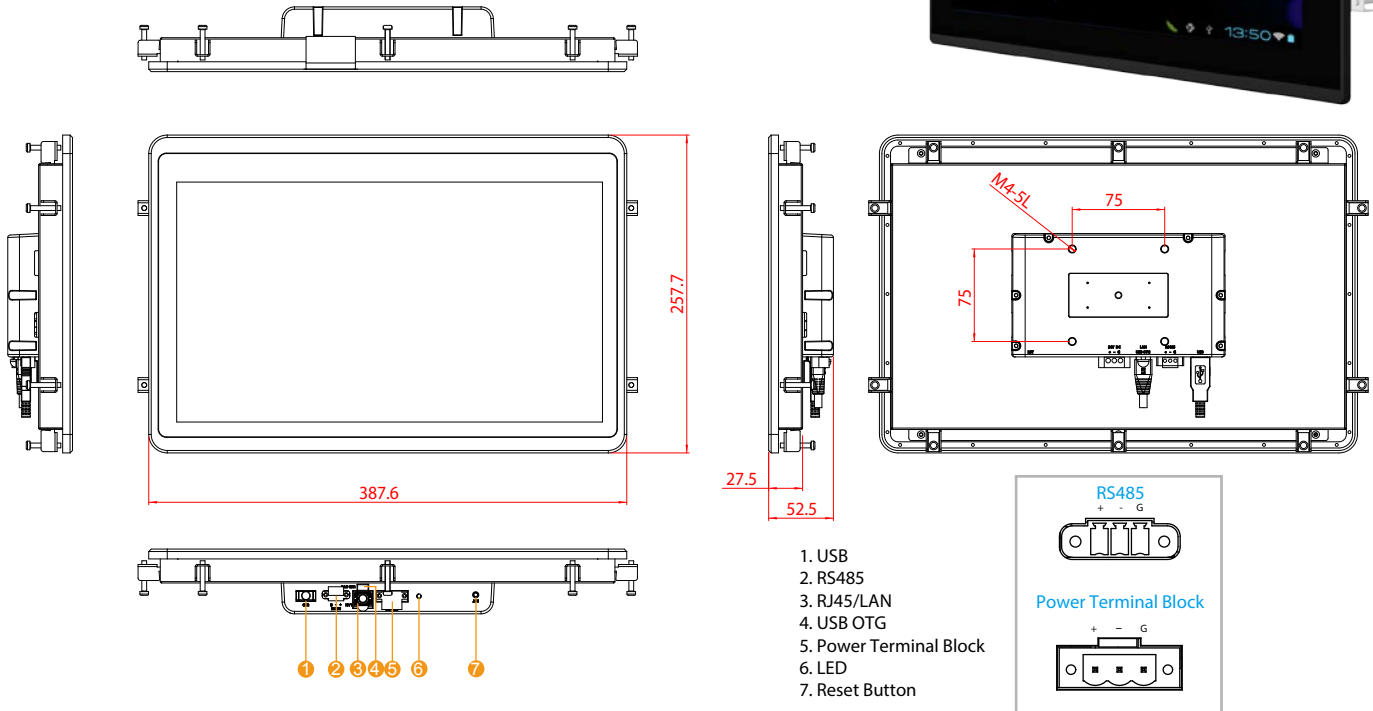


Winmate EL-Series HMI

15.6" EL-Series HMI with Freescale i.MX6

W15FA3S-ELA4

- 15.6" 1920 x 1080 Resolution with Projected Capacitive Multi-Touch (P-CAP)
- NXP A9 i.MX6 Dual Core 1GHz
- Fanless cooling system and Ultra-low power consumption
- Front IP65 Water and Dust Proof
- 1 x USB; 1 x RS485; 1 x USB OTG; 1 x RJ45/LAN



1. USB
2. RS485
3. RJ45/LAN
4. USB OTG
5. Power Terminal Block
6. LED
7. Reset Button

Specifications

System :	
• Processor	: NXP A9 i.MX6 Dual Core 1GHz
• System Memory	: 1GB LPDDR3
• Storage	: Onboard 8GB eMMC

Input / Output :	
• USB Ports	: 1 x USB 2.0 host, 1 x USB OTG
• COM port	: 1 x RS485
• Ethernet	: 1 x RJ45, 10/100/1000
• Power Connector	: Terminal Block 3 Pin

Certification :	
• CE	: Front IP : IP65
• FCC	: Rear IP : IP20

Power Specifications :	
• Power Input	: 12~24V DC in with isolation
• Power Consumption	: 12W

Display Spec :	
• Size/Type	: 15.6 TFT (Wide screen)
• Resolutions	: 1920 x 1080
• Brightness	: 300 cd/m ² (typ.)
• Contrast Ratio	: 800 : 1 (typ.)
• Viewing Angle	: -85~85(H); -85~85(V)
• Max Colors	: 262K (8bit)
• Touch	: Projected Capacitive Multi-Touch (P-CAP)

Mechanical Specification :	
• Cooling System	: Fanless design
• Mounting	: Mounting clips x 10
• Dimension (W x H x D)	: 387.6 x 257.7 x 27.5 (mm)
• Cutout Dimensions (W x D)	: 370.6 x 217.4 (mm)

Environment Considerations :	
• Operating Temperature	: -10 deg.C to 50 deg.C
• Operating Humidity	: 10% to 90% (non condensing)

OSBSP Driver Support :	
• Operation System	: Android 6.0 Ubuntu 16.04