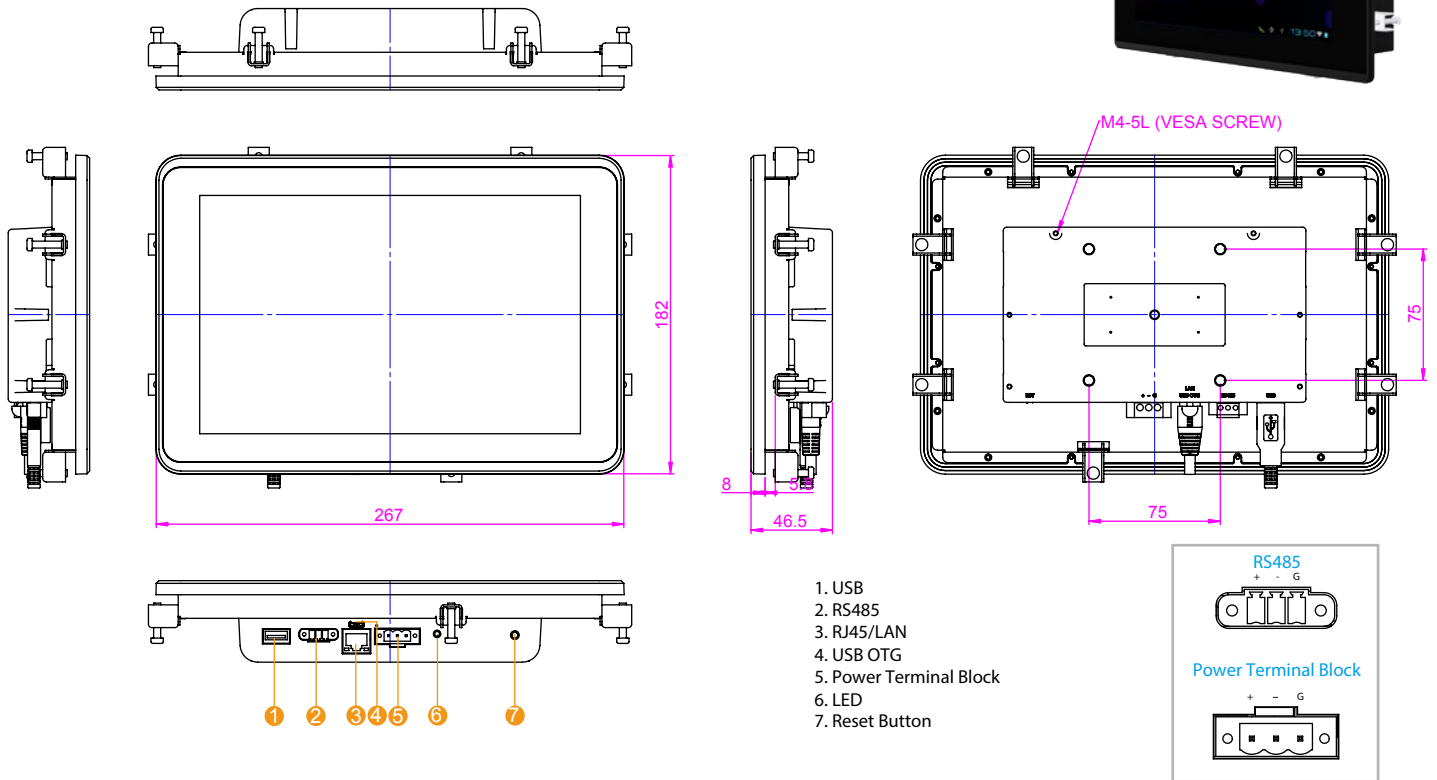


Winmate EL-Series HMI

10.1" EL-Series HMI with Freescale i.MX6

W10FA3S-ELH2

- 10.1" 1280 x 800 Resolution with P-Cap Multi-touch screen
- NXP A9 i.MX6 Dual Core 1GHz
- Fanless cooling system and Ultra-low power consumption
- Front IP65 Water and Dust Proof
- 1 x USB , 1 x USB OTG , 1 x RS485 , 1 x RJ45 / LAN



Specifications

System :

- Processor : NXP A9 i.MX6 Dual Core 1GHz
- System Memory : 1GB LPDDR3
- Storage : Onboard 8GB eMMC

Input / Output :

- USB Ports : 1 x USB 2.0 host, 1 x Micro USB OTG
- COM port : 1 x RS485
- Ethernet : 1 x RJ45, 10/100/1000
- Power Connector : 1 x Terminal block 3 pin

Certifications :

- CE
- FCC
- Front IP : IP65
- Rear IP : IP20

Power Specifications :

- Power Input : 12~24V DC in with isolation
- Power Consumption : 10W

Display Spec :

- Size/Type : 10.1" TFT (Widescreen)
- Resolutions : 1280 x 800
- Brightness : 350 cd/m² (typ.)
- Contrast Ratio : 800 : 1 (typ.)
- Viewing Angle : -85~85(H); -85~85(V)
- Max Colors : 16.7M (8bit)
- Touch : Projected Capacitive Multi-Touch (P-CAP)
Optional anti-glare coating

Mechanical Specification :

- Cooling System : Fanless design
- Mounting : Mounting clips x 7
- Dimension (W x H x D) : 267 x 182 x 47 (mm)

Environment Considerations :

- Operating Temperature : -20 deg.C to 50 deg.C
- Storage Temperature : -25 deg.C to 70 deg.C
- Operating Humidity : 10% to 90% (non-condensing)

OS support:

- Operation System : Android 6.0
Ubuntu 16.04

