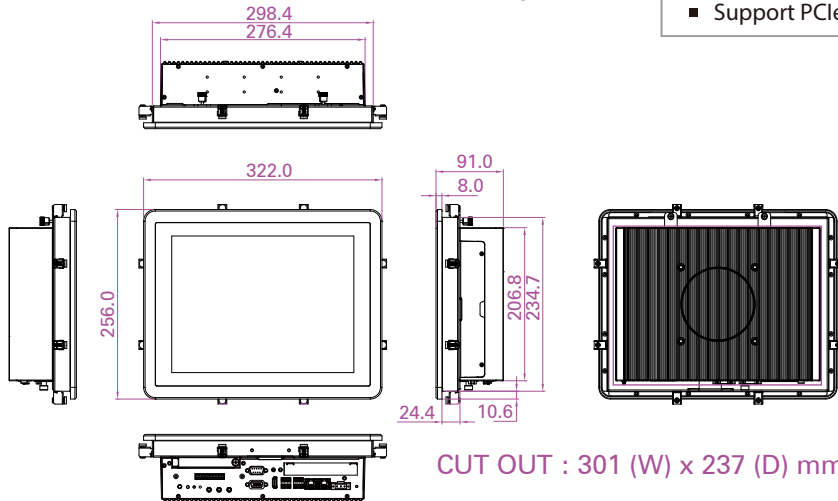


# Winmate M-Series HMI Panel PC

12" M-Series HMI with Intel® Core™ i5-7200U

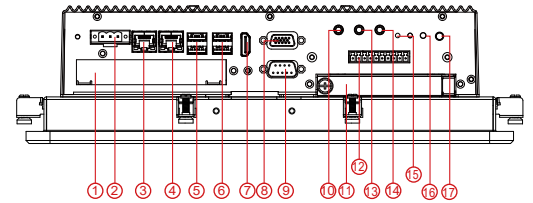
R12IKWS-MHM2



Measurements shown in mm  
All Dimensions are ± 0.5 mm

## Features:

- Signature true flat display screen with edge-to-edge design
- Aluminum, anti-corrosion treated housing
- Superior Sealing with front IP65 protection against dust and water
- Projected Capacitive P-CAP Multi-Touch Screen
- Fanless Design
- Support wide range 9-29V isolation DC input
- One Quick & Easy Removable 2.5" SSD Bay Slot
- Support PCIe x4 Card



1. PCIe Slot cover for PCIe x 4 (1 x Half-Length PCIe card)
2. 9-29V isolation DC-in
3. Giga LAN
4. Giga LAN
5. USB 3.0 x 2
6. USB 3.0 x 2
7. HDMI
8. VGA
9. RS232/422/485
10. Mic in
11. 2.5" SSD Slot x 1
12. 8 x Isolated DIDO (Optional)
13. Line in
14. Line out
15. LED
16. Reset
17. Power Button

\* Note: this is a simplified drawing and some components are not marked in detail. Please contact our sales representative if you need further product information.

## System Specification

|                             |   |
|-----------------------------|---|
| Processor                   | : Intel® Core i5-7200U Kaby Lake 2.5GHz (turbo to 3.1GHz) |
| BIOS                        | : Insyde BIOS   |
| System Memory               | : DDR4-2133 SO-DIMM (Max 16GB)                            |
| System Chipset              | : Intel® SoC Integrated                                   |
| Graphic Chipset             | : Intel® HD Graphics 620                                  |
| Ethernet Compatible         | : 1000 Base-Tx Gigabit Ethernet Compatible                |
| Audio                       | : Realtek ALC283 HD Audio Codec                           |
| Expansion Slot              | : PCIe x 4  |
| Main Storage                | : 2.5" 64GB SSD (Options up to 512GB)                     |
| Second Storage (Optional)   | : mSATA 64GB (Options up to 512GB)                        |
| Touch screen                | : Projected Capacitive                                    |
| Operating System (Optional) | : Windows 10 IoT Enterprise                               |

## Display Specification

|                     |                          |
|---------------------|--------------------------|
| Display Size        | : 12"                    |
| Active Display Area | : 245.76 (H) x 184.32(V) |
| Pixel Pitch         | : 0.240(H) x 0.240(V)    |
| Display Color       | : 262k/16.2M             |
| Resolution          | : 1024 x 768             |
| Brightness          | : 500 nits               |
| Contrast Ratio      | : 1000:1 (Typ.)          |
| Viewing Angle       | : 89/89/89/89            |

## Mechanical Specification

|           |                              |
|-----------|------------------------------|
| Mounting  | : Wall Mount / VESA Mount    |
| Dimension | : 322 (L) x 256 (W) x 91 (H) |

## Power Supply

|               |  |
|---------------|--|
| Power Input   | : 9-29V isolation DC in with protection Fuse |
| Power Adapter | : 110-240AC to 12V DC out 80W power Adapter  |

## Environmental Specification

|                       |  |
|-----------------------|--|
| Operation Temperature | : 0~ 50°C                              |
| Operating Humidity    | : 30%-95% at 40°C (non-condensing, RH) |
| Water Proof           | : Front: IP65; Rear: IP20 / Fanless    |

## I/O Connectors

|                |   |
|----------------|---|
| I/O Connectors | : 9-29V isolation DC in x 1 (Terminal Block 3pin) |
|                | Gigabit LAN x 2                                   |
|                | USB3.0 x 4  |
|                | HDMI Output x 1 (Optional)                        |
|                | D-Sub15 (VGA) Output x 1                          |
|                | RS232/422/485 selectable serial port x 1          |
|                | Audio in Jack x 1                                 |
|                | Audio out Jack x 1                                |
|                | Reset key x 1                                     |
|                | Power Button x 1                                  |
|                | 2.5" SSD indicators x 1                           |
|                | Isolated DIDO x 8, 4 In / 4 Out (Optional)        |

## Accessories

- Mounting clips & screws
- 12V 80W power adapter
- Power cord
- Driver CD