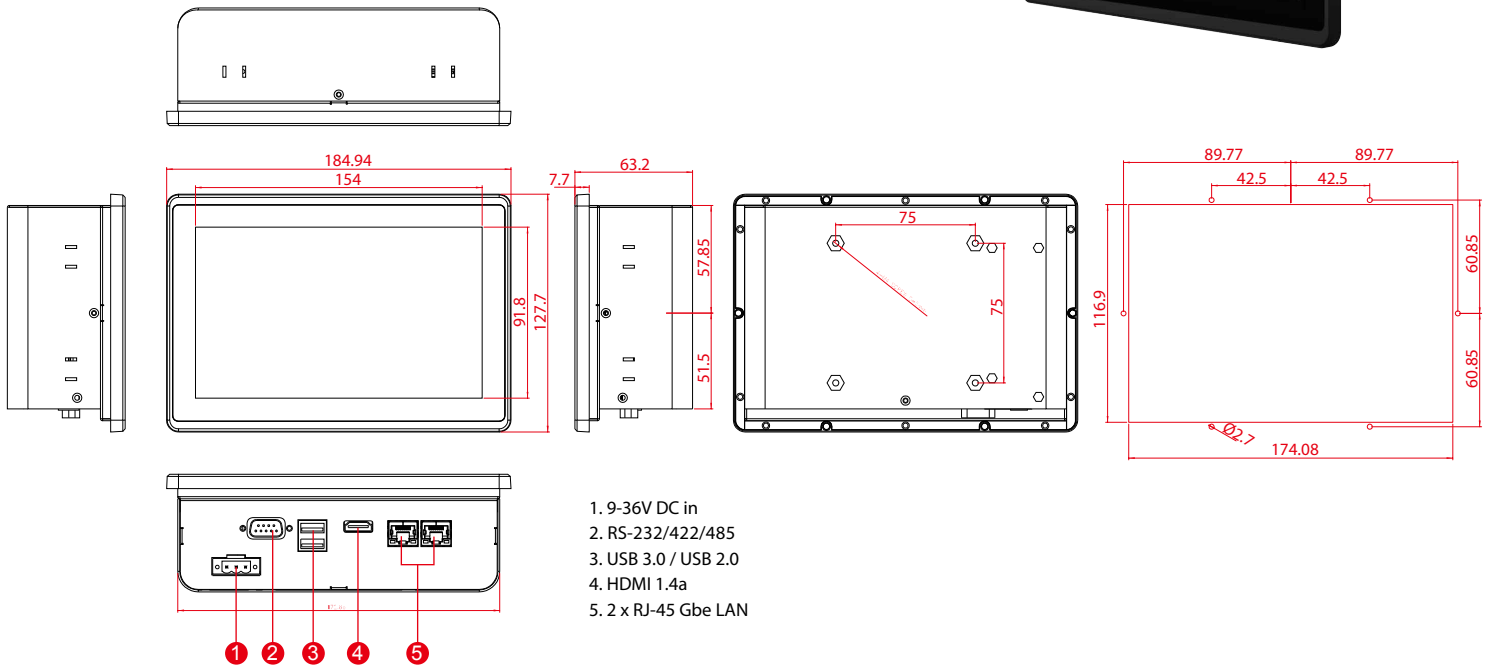


# Winmate E-Series HMI

7" E-Series HMI with Bay Trail Platform

W07IB3S-EHT1

- 7" 1024 x 600 Resolution
- P-cap Multi-touch screen
- Front IP65 Water and Dust Proof
- Dual Gigabit Ethernet
- Fanless cooling system and Ultra-low power consumption



## Specifications

### System

- Processor : Intel® Celeron® Bay Trail-M N2930 1.83GHz
- System Chipset : Intel® ATOM SoC Integrated
- System Memory : 2GB DDR3L 1600 SODIMM (Optional 8G)
- Storage : 64GB mSATA SSD
- LAN : Dual Intel® I210-AT GbE LAN
- Audio Codec : Realtek HD Audio Codec

### Input / Output :

- USB Ports : 1 x USB 2.0 , 1 x USB 3.0
- COM port : 1 x RS232/422/485
- Ethernet : 2 x RJ45, 10/100/1000
- HDMI : 1 x HDMI 1.4a

### Software Support

- Watchdog SDK

### Power Specifications :

- Power Input : 9-36V DC in Jack
- Power Consumption : 17W (typ.)

### Security Support

- Trusted Platform Module (TPM 2.0)  
\* Windows 10 operating system requires installing a new version of BIOS and OS image.  
Windows 7 does not support TPM 2.0 function.

### Display Spec :

- Size/Type : 7" TFT (Widescreen)
- Resolutions : 1024x600
- Brightness : 320cd/m (typ.)
- Contrast Ratio : 1000 : 1 (typ.)
- Viewing Angle : -70~75(H);-75~75(V)
- Max Colors : 16.7M (8bit)
- Touch : Projective-Capacitive Touch (support glove mode)

### Mechanical Specification :

- Cooling System : Fanless design
- Mounting : VESA Mount(75x75mm), Mounting clips x 4
- Dimension(WxHxD) : 184.94 x 127.7 x 44.9 (mm)
- Design : Panel Mount Front IP65 Design

### Environment Considerations :

- Operating Temperature : -10 deg.C to 50 deg.C
- Operating Humidity : 10% to 90% (non-condensing)
- IP Rating : Front IP65

### OS/BSP Driver Support :

- Operation System : Windows 10 IoT  
Windows Embedded 8.1 Industry  
Windows Embedded 8 Standard  
Windows Embedded Standard 7