

Winmate M-Series HMI Panel PC

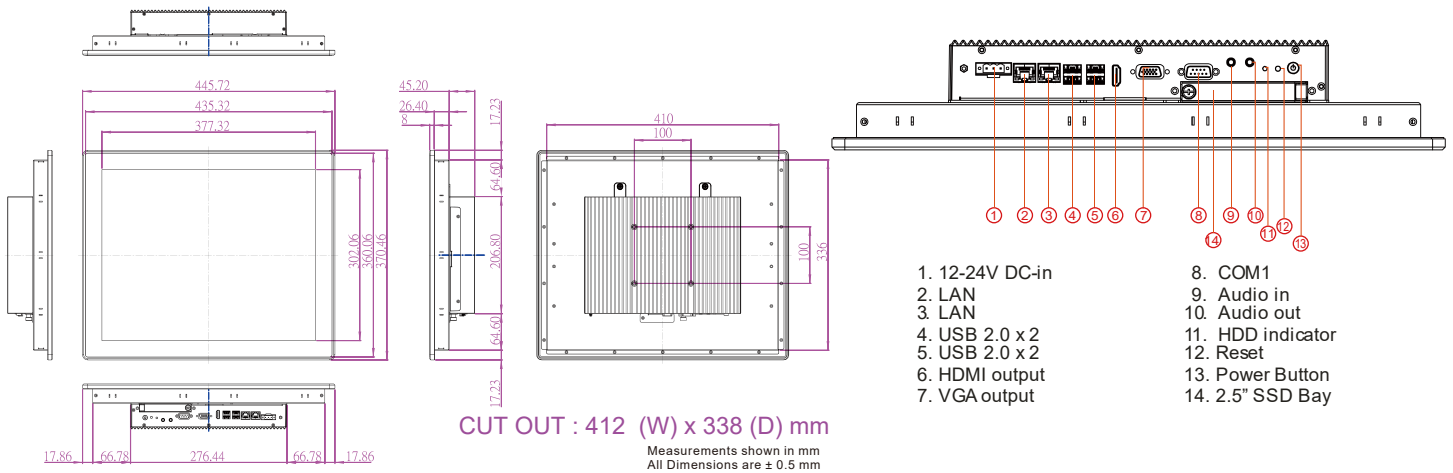
19" M-Series HMI with Intel® Atom™ E3845

R19IBWS-MHA1



Features:

- Projected Capacitive Multi Touch Screen
- Fanless Design
- Modular Design for easy service in the field
- Support wide range 12-24V DC input
- One Quick & Easy Removable 2.5" SSD Bay Slot



* Note: this is a simplified drawing and some components are not marked in detail.
 Please contact our sales representative if you need further product information.

System Specification

Processor	: Intel® Atom™ E3845 Processor; 2M Cache up to 1.91 GHz
BIOS	: AMI UEFI BIOS
System Memory	: SODIMM DDR3L-1600 4GB, option up to 8GB (2 slots)
Graphic Chipset	: Intel® HD graphics 4400
Ethernet	: 1000 Base-Tx Gigabit Ethernet Compatible
Audio	: Realtek ALC886 codec
USB	: 4 x USB 2.0
Serial Port	: 1 x RS232/ 422 / 485 selectable by jumper
Main Storage	: Default 2.5" 64GB SSD, optional up to 128GB
Second Storage (Optional)	: Internal mSATA 64 ~ 256GB SSD
Touch Screen	: Projected Capacitive : Optional anti-glare coating
Operating system (optional)	: Windows Embedded Standard 7 : Windows Embedded 8 Standard : Windows 10 IoT Enterprise

Display Specification

Display Size	: 19"
Active Display Area	: 376.32 (H) x 301.06 (V)
Pixel Pitch	: 0.294(H) x 0.294(V)
Display Color	: 16.7M
Resolution	: 1280 x 1024
Brightness	: 400 nits
Contrast Ratio	: 1000:1 (Typ.)
Viewing Angle	: 85/85/80/80

Mechanical Specification

Mouting	: Wall Mount / VESA Mount
Dimension	: 445.72 (L) x 370.46(W) x 79.6 (H)

Power Supply

Power Input	: 12-24V DC in with protection Fuse
Power Adapter	: 110-240AC to 12V DC out 80W power Adapter

Environmental Specification

Operation Temperature	: 0~ 50°C
Operating Humidity	: 30%-95% at 40 (non-condensing, RH)
Water Proof	: Front: IP65; Rear: IP20 / Fanless

I/O Connectors

I/O Connectors	: 12-24V DC in x1 (Terminal Block 3pin)
	: Gigabit LAN x 2
	: USB2.0 x4
	: HDMI Output x1 (Optional)
	: D-Sub15 (VGA) Output x1
	: RS232/422/485 selectable serial port x1
	: Audio in Jack x1
	: Audio out Jack x1
	: Reset key x1
	: Power Button x1
	: 2.5" SSD Slot x1

Accessories

- Mounting clips & screws
- 12V 80W power adapter
- Power cord
- Driver CD