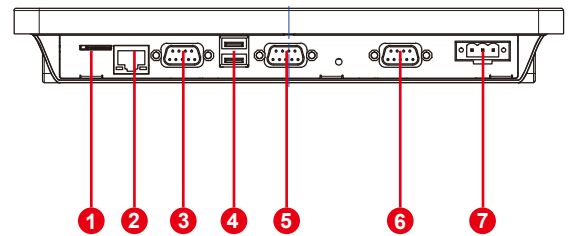
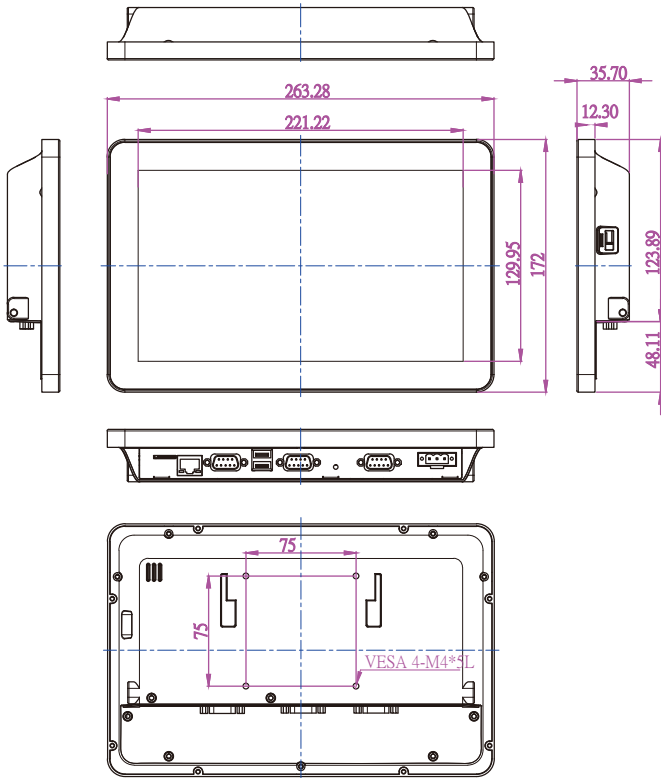


10.1" Flat Panel PC - W10TA3S-PCH1-PoE

Mechanical Design

- 10.1" 1024 x 600 Resolution with P-Cap Multi-touch screen
- Embedded TI Cortex A8 AM3354 1GHz
- Fanless cooling system and Ultra-low power consumption
- Support PoE function
- Room Booking Schedule, Access Control, Room Information Display
- Front IP65 Water and Dust Proof



- | | |
|------------------|----------------------|
| 1 Micro SD | 5 CAN BUS (optional) |
| 2 RJ45 (PoE/LAN) | 6 RS232 |
| 3 RS232/422/485 | 7 9-24V DC Input |
| 4 USB 2.0 | |

Specifications

System :

- Processor : TI Cortex A8 AM3354 1GHz with DSP
- System Memory : 512MB DDR2 SDRAM 533MHz
- Storage : 1GB 8bit NAND Flash

Input / Output :

- COM port : 1 x RS232/422/485 selectable
1 x RS232
- USB : 2 x USB 2.0
- Ethernet : 1 x RJ 45-10/100/1000 Mbps (PoE)
- CAN BUS : 1 x 9 Pin D-Sub CANbus (optional)
- Expansion Storage : 1 x Micro SD Card Slot
- Power : 1 x 3-Pin Terminal Block (Phoenix Type)

Power Specifications :

- Power Input : 9-24V DC Input
PoE (Power over Ethernet)
- Power consumption : 10W

Display Spec :

- Size/Type : 10.1" TFT (Wide screen)
- Resolutions : 1024x600
- Brightness : 200cd/m (typ.)
- Contrast Ratio : 500 : 1 (typ.)
- Viewing Angle : -70~70(H); -50~60(V)
- Max Colors : 262K(6bit)
- Touch : Projective-Capacitive Touch (up to 4 points)

Mechanical Specification :

- Cooling System : Fanless design
- Mounting : VESA Mount(75x75mm)
- Dimension (W x H x D) : 263.28 x 171 x 35.7 (mm)

Environment Considerations :

- Operating Temperature : 0 deg.C to 50deg.C
- Operating Humidity : 30% to 90% (non condensing)

OS BSP Driver Support :

- Operating System : Android 4.2.2



Rev.	Reasons	Revised Date
1.4	Change Spec	Jun-05-13
1.5	Change Spec	May-20-15
1.6	Change Spec	Jun-18-15