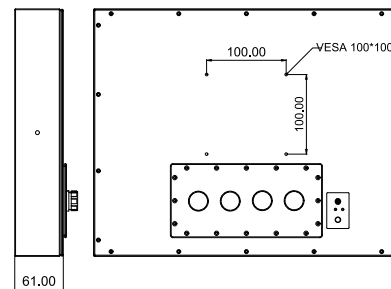
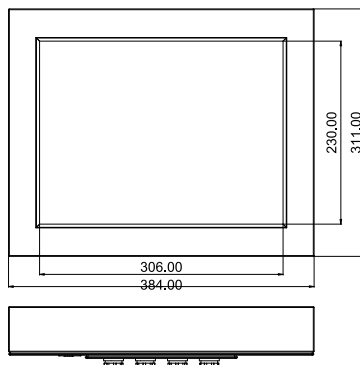


15" Fanless Full IP65/NEMA4 Panel PC (Intel® Atom N270 Platform)

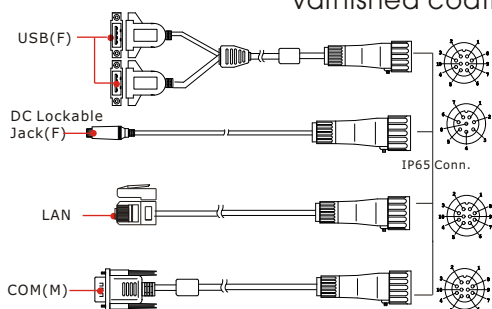
MODEL #: R15IA3S-65M5

Mechanical Design

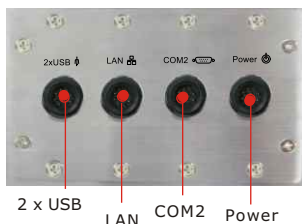


Standard:
brushed stainless

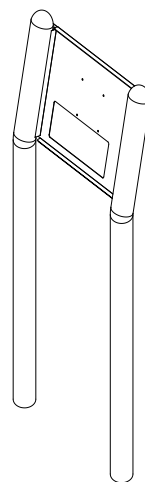
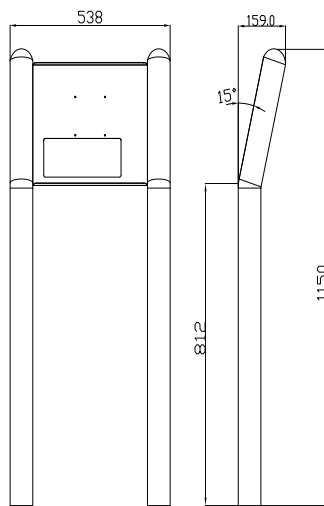
Optional:
black, high polish,
varnished coating



IP65 connector / cable



Mounting Stand
(optional)



* Note: this is a simplified drawing and some components are not marked in detail. Please contact our sales representative if you need further product information.

System Specifications

TFT Characteristics :

- Resolutions : 1024 x 768
- Brightness : 800 cd/m² (typ.)
- Contrast Ratio : 600 : 1 (typ.)
- Viewing Angles : -75~75(H); -60~50(V)
- Max Colors : 16.7M (8bits/color)

SBC Specifications :

- Processor : Intel® Atom N270 1.6GHz Processor
- BIOS : AMI 4 Mbit
- System Chipset : Intel 945GSE / ICH7M Chipset
- Memory Slot : 1 x SODIMM, Max 2GB DDR2 400/533
- Graphic Chipset : Intel GMA 4500
- IDE : 1 x 44pins IDE ,2xSATA
- KB/Mouse : 1 x PS/2
- Ethernet : 1 x GigaLAN RJ45
- Audio : Built in AC97 codec
- USB : 4 x USB2.0 (3 x USB internal)
- Serial : 4 x RS232 (3 x RS232 internal)
- Expansion Slot : 1 x Mini PCI (internal)
- Power Input : DC-IN (Lockable, Power Jack)
- Certification : CE, FCC, RoHS

* A customized housing is needed if you would like to have the PCI expansion.

Power Specifications :

- Power Input : 12V DC IN (Lockable Power Jack)
- Power Consumption : 46W (typ.)(Max.backlight & high CPU load)

Accessories :

- External Power Supply 80W w/power cord

Environment Considerations :

- Operating Temperature : 0 deg.C to 45deg.C
- Operating Humidity : 30% to 90% (non condensing)

Input/ Output Connectors :

- Ethernet LAN : 1 X RJ45-10/100 Mbps
- COM : 1 X RS232
- USB : 2 x USB Type-A Receptacle
- Power : 1 X 12VDC

Order Options :

SBC	PANEL PC
RAM : 512 MB DDR(Optional) 1 GB DDR(Optional)	Mechanical : Stainless Chassis
Storage : 2.5"80 GB HDD* 1 GB Compact Flash(Optional)	Touch : 5 Wires Resistive(Optional)
* Default	OS : Windows XPE(Optional) Windows XP (Optional) Linux(Optional)
Mounting Stand	



Rev.	Reasons	Revised Date
1.0	First release	Dec-10-09