

HMI PoE Panel PC

Model:W10I93S-IPH1PD

Product Features:

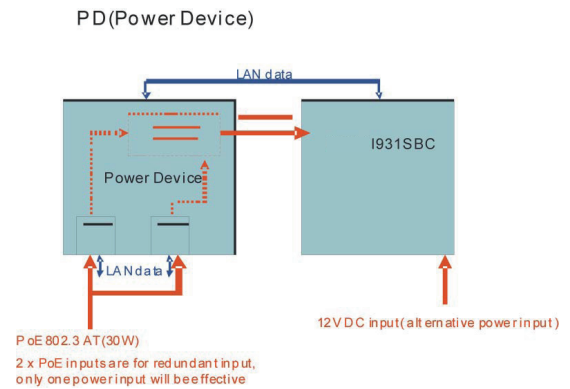
- 10" TFT LCD with resistive touch screen
- Embedded Intel® Atom Z510P/Z530P 1.1GHz/1.6GHz processor
- NEMA4/IP65 compliant front panel
- Power Device
- Support Power over Ethernet(PD) IEEE 802.3at
- Fanless and Ultra-low power consumption



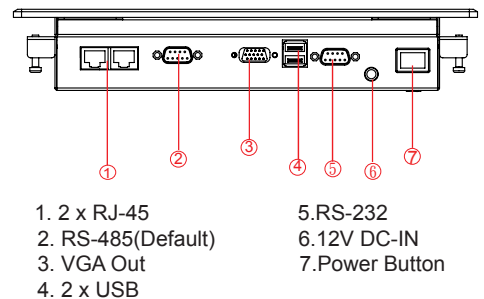
Product Specifications:

Display	Model Name	W10I93S-IPH1PD
	Size/Type	10" TFT(LED Back Light)
	Resolution (pixels)	1024 x 600
	Number of Colors	256 K
	Brightness (cd/m2)	250
	Contrast Ratio	500:1
System	Viewing Angle	-70~70 (H) ; -60~50 (V)
	Processor	Intel® Atom Z510P/Z530P 1.1GHz/1.6GHz
	Chipset	Intel® US15W XL
	Memory	1 x SO-DIMM 512MB DDR2 400/533 (max 1GB)
	IDE/SATA	1 x 44pin IDE (UDMA33/66/100)
	LAN	Dual Realtek RTL8111B Gigabit LAN Controller
Input / Output	Storage	1 x Mini PCI-E SSD 4GB
	USB Port	2 x USB
	Ethernet	2 x RJ 45-10/100/1000 Support IEEE 802.3at, PoE/PD
	VGA	1 x VGA (female)
	RS-232	1 x RS-232 COM Port
	RS-422/485	1 x *RS-232/422 / 485 COM Port (*Default RS-485) *10.1" PPC needs either one port 802.3at PoE input
Power	Power Input	12V DC-IN Power input or receives PoE Power from RJ45 Connector
	Power consumption	20W (typ.)(Max.backlight & high CPU load)
Environment	Operating Temperature	0 deg.C to 50 deg.C
	Humidity	30% to 90%(non condensing)
Driver OS Support	Windows XP embedded / Windows 7 / Windows XPP Embedded / Linux / Win CE	
Accessories	External Adapter	110~230V Ac-in Power Adapter
Default	Mechanical	IP65 Panel Mount
	Touch	4 Wires Resistive
	CPU	Z510P 1.1GHz
	Storage	1 x Mini PCI-E SSD 4GB
PoE Function	RAM	1 x SO-DIMM DDR2 400/533 512MB
	Require IEEE 802.3at 25W power input Power Device PD (Power-input)	
Testing PoE Router	Winmate has tested this PD Product with D-Link DES-1008P and works perfectly	

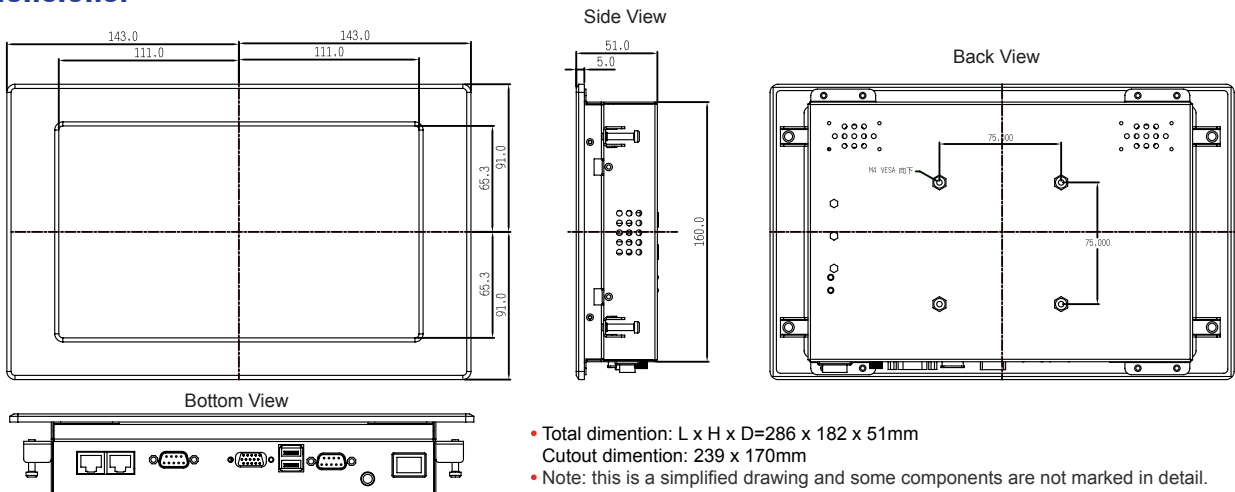
Block diagram:



I / O View:



Dimensions:



Rev.	Reasons	Revised Date
1.0	First release	Aug.06.10
1.1	Spec change	Oct.27.10
1.2	Spec change	Dec.09.10