

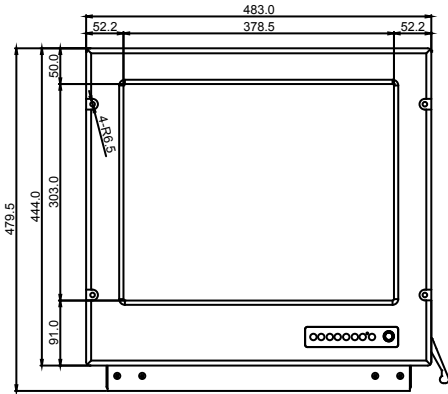


19"

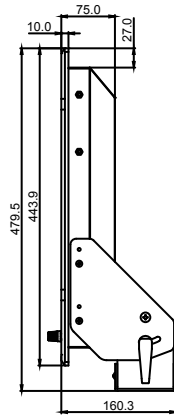
Marine Bridge System Display

Model # R19L300-MRA1

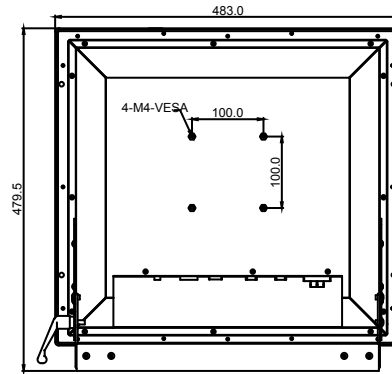
Mechanical Design with Robust Bracket (options)



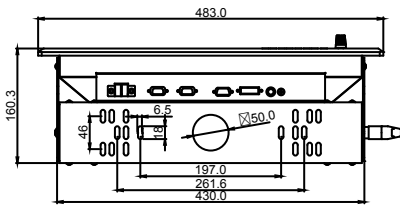
FRONT VIEW



SIDE VIEW

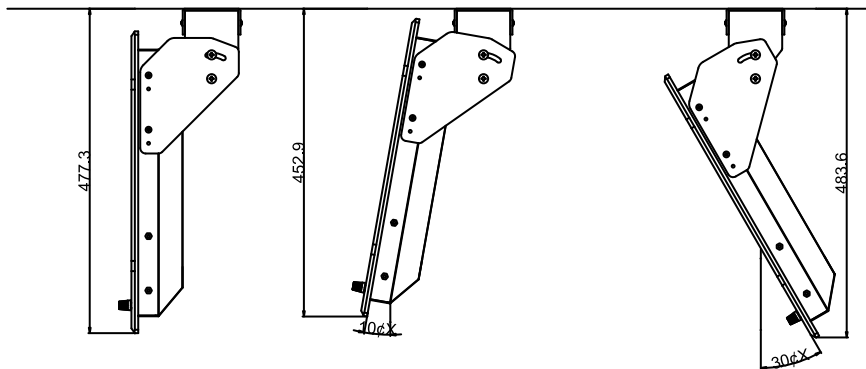


BACK VIEW

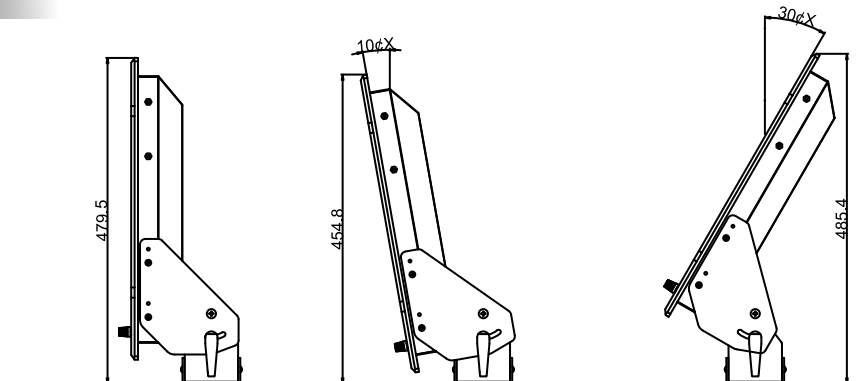


BOTTOM VIEW

ROOF MOUNT



STAND ANGLE



All Dimensions are ± 0.5 mm

* Note: this is a simplified drawing and some components are not marked in detail. Please contact our sales representative if you need further product information.