

Multi-Touch (4 point) LCD

Multi-Touch (4 point) LCD

19" (4:3)

Specifications

RoHS
COMPLIANT
2011/65/EU

| | |
|--------------------------------|---|
| Model Name | R19L300-POA1 |
| Viewable Size Image | 19"(4:3) |
| Active Display Area(mm) | 376.32(H)x301.06(V) |
| Pixel Pitch(mm) | 0.294(H)x0.294(V) |
| Number of Pixels | 1280x1024 |
| Contrast Ratio | 1000:1(typ.) |
| Display Color | 16.7M(8bit/colors) |
| Brightness(cd/m ²) | 400 |
| Viewing Angle(CR>=10) | -80~80(H); -80~80(V) |
| Synchronization Range | |
| Horizontal/Vertical | 31.5~80.0KHz/60~75Hz |
| Recommended Resolution | 1280x1024@60Hz.75Hz |
| Signal Connector | 15 pin D-sub |
| Power Source | DC12V input, with External AC-DC Adopter (100-240V) |
| Power Consumption | 35W typical, normal operation |
| Power Management | VESA DPMS Compliant |
| Plug & Play | VESA DDC 1/2B |
| Optional Video Input | S-Video, Composite |
| Optional DVI Input | Yes |
| Touch Screen | Projective capacitive Touch(4 points) |

Remarks:R19L300 series= VGA + DVI + Audio input

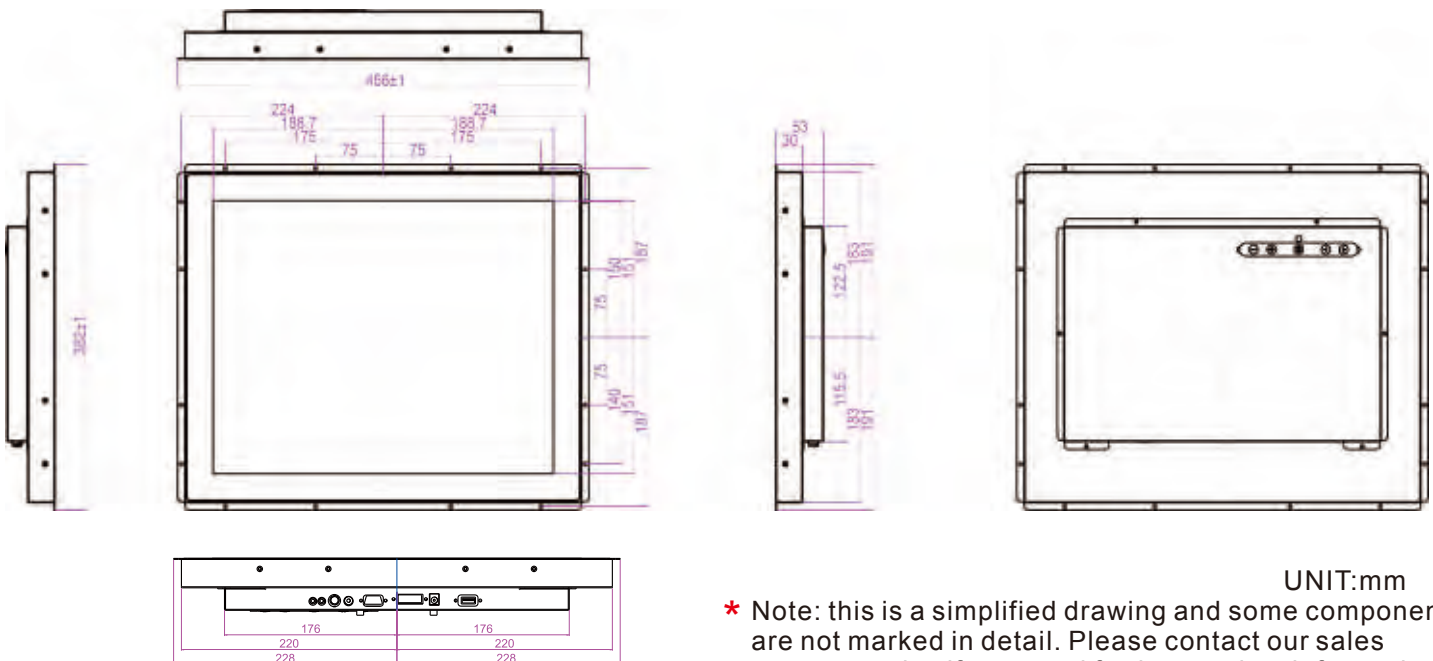
R19L340 series= VGA + DVI + Video+ Audio input

*External power adapter is default



Multi Touch (4points)

Mechanical Drawing



UNIT:mm

* Note: this is a simplified drawing and some components are not marked in detail. Please contact our sales representative if you need further product information.

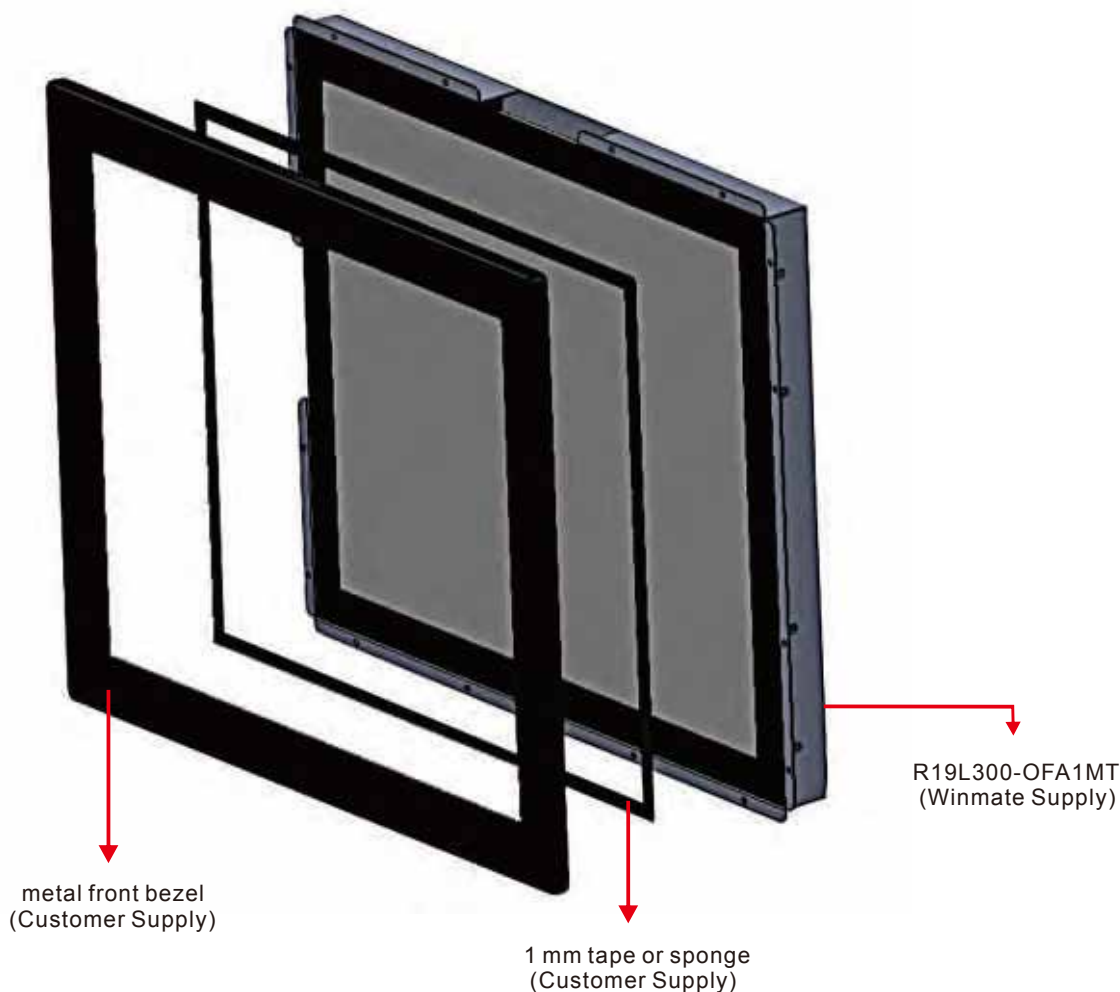
Multi-Touch (4 point) LCD

Multi-Touch (4 point) LCD

Touch Information

| | |
|-----------------------|---|
| OS supported | Windows7 / Vista / XP (64bit & 32bit) |
| Multi-Touch supported | Windows7 |
| Touch Interface | USB |
| Resolution | 25 ppi (Min.) |
| Touch Accuracy | Within 2.5mm each target & 10% Jitter limit on moving |
| Touch Method | Finger or Cap. Stylus |

Assembling Guide



*If your front bezel is made by metal, you need to have 1 mm tape or sponge to avoid interference with p-cap.