

Open Frame LCD

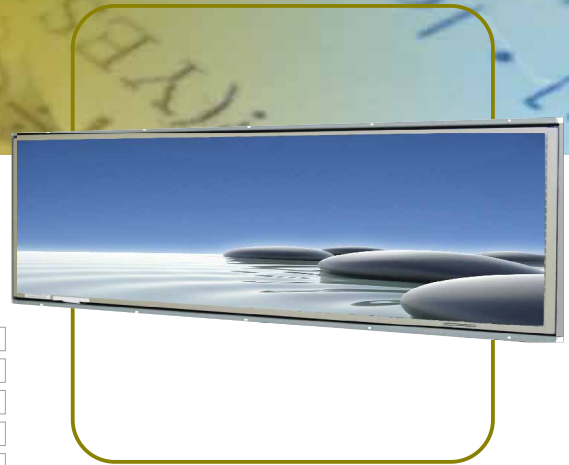
Bar-Type Open Frame LCD

19"

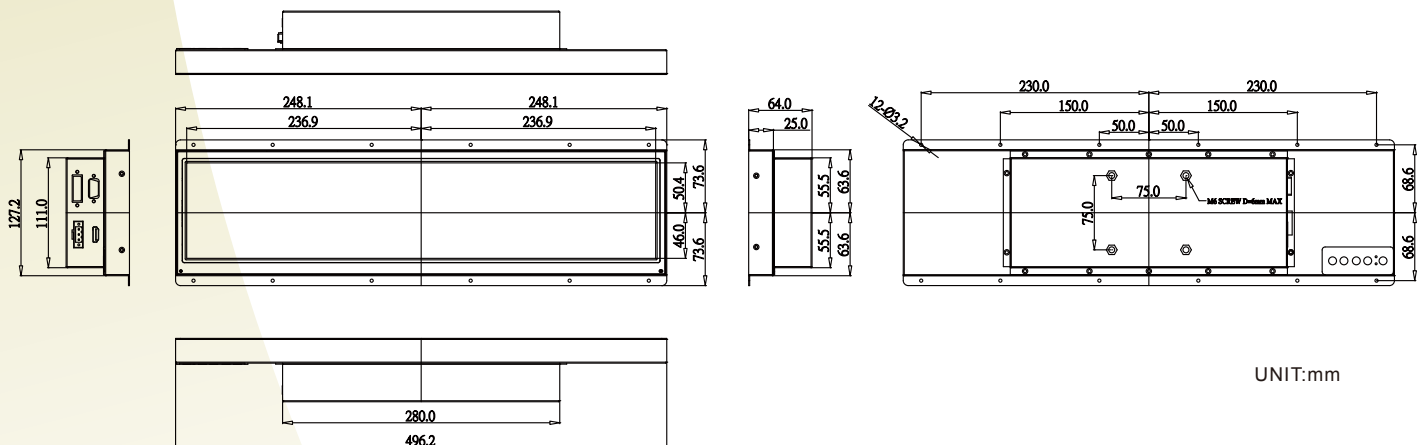
Specifications



Model	W19L100-OFA1
Panel Size	19"
Active Display Area(mm)	473.7(H) x 96.44 (V)
Resolution	1680 x 342
Contrast Ratio	2000:1 (Typical)
Display Color	16.7M
Brightness(cd/m ²)	300 (Typical)
Viewing Angle(CR>=10)	-89~89 (H) ; -89~89(V)
Standard Input Signal	1 x VGA 1 x DVI 1 x HDMI
Accessories	Power Adapter VGA cable HDMI cable
Power Input	12V DC in, with external AC to DC Adapter
Power Consumption	54W typical, Normal operation
Operating temperature	0~50°C
Storage Temperature	-10~60°C
Touch Screen	Resistive SAW P-cap. (Customized)
Remote Control	RS232 port
Audio	Audio input Stereo speakers



Mechanical Drawing:W19L100-OFA1



UNIT:mm

* Note: this is a simplified drawing and some components are not marked in detail. Please contact our sales representative if you need further product information.

Revised Date: May-26-2017 V1.5