

# Open Frame LCD

## Open Frame LCD

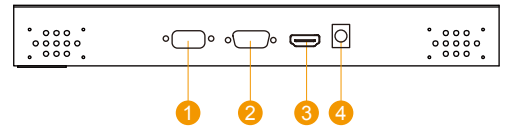
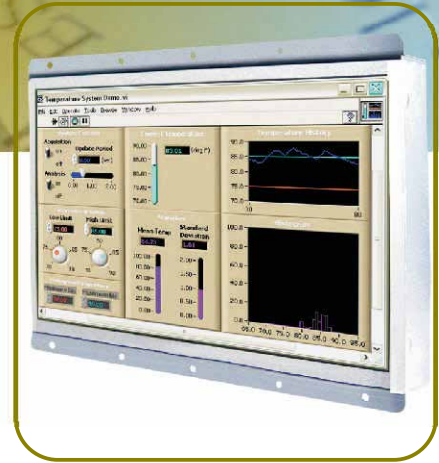
12.1" (16:10)

### Specifications



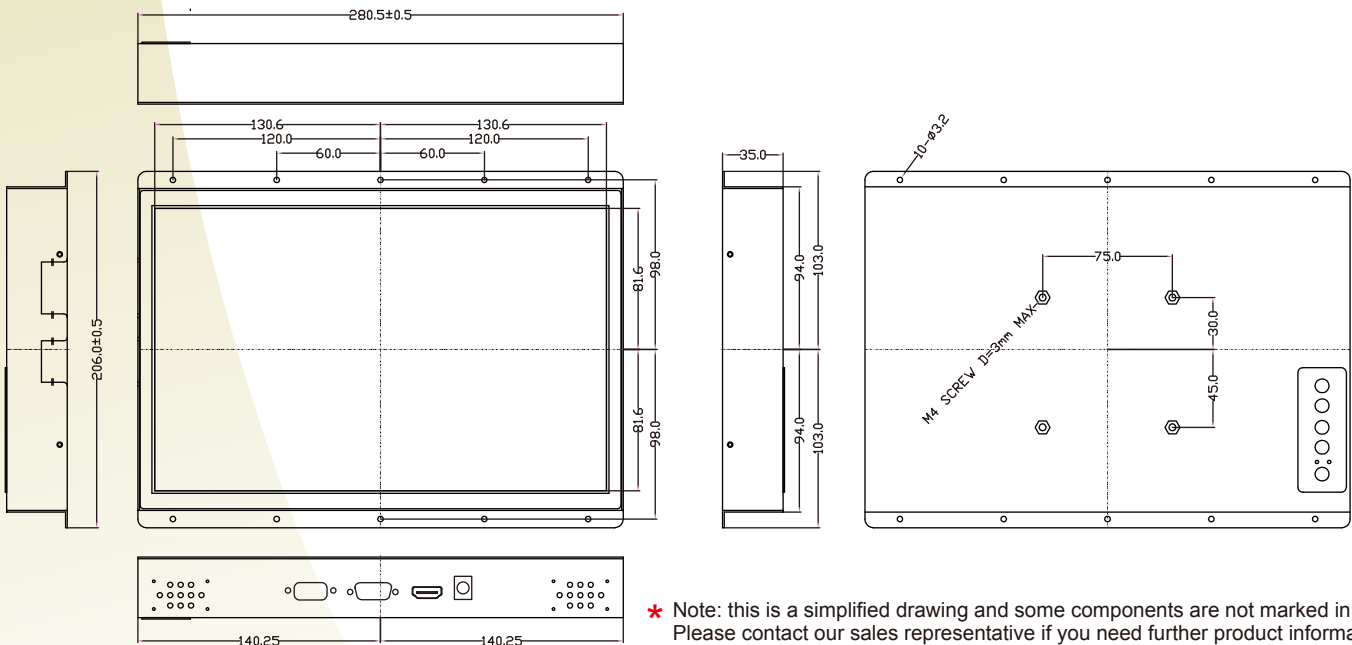
Model Name	W12L100-OFM9
Panel Size	12.1" (16:10)
Active Display Area(mm)	261.12(H) x 163.2(V)
Resolution	1280x800
Contrast Ratio	1000:1 (Typical)
Display Color	16.2M
Brightness(cd/m2)	400 (Typical)
Viewing Angle(CR>=10)	-88~88(H) ; -88~88(V)
Standard Input Signal	1 x VGA, 1 x HDMI
Accessories	Power Adapter VGA cable HDMI Cable 13 Keys IR remote control pad (Optional)
Power Input	12V DC in, with external AC to DC Adapter (100 to 240VAC)
Power Consumption	20 W typical, Normal operation
Operating temperature	0~50°C
Storage Temperature	-10~60 °C
Touch Screen (Optional)	P-cap. (Customized) Resistive
Remote Control (Optional)*	RS232 port
Audio (Optional)*	Audio input Stereo speakers

\* When adding the function, the outside dimension may change.



1. Touch (Optional)
2. VGA
3. HDMI
4. 12V DC-in

### Mechanical Drawing



\* Note: this is a simplified drawing and some components are not marked in detail. Please contact our sales representative if you need further product information.