

Open Frame LCD

Open Frame LCD

10.1" (16:9)

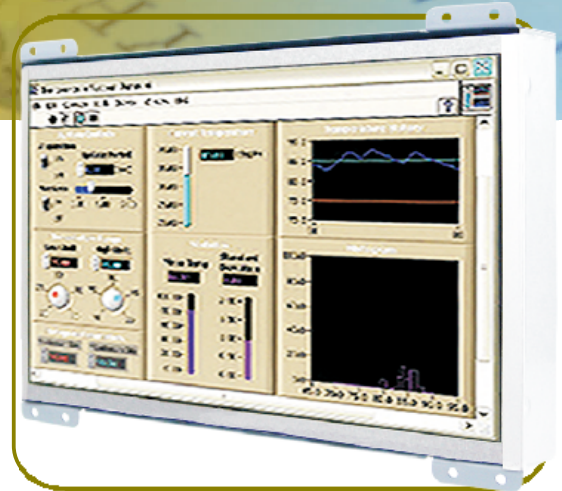
Specifications



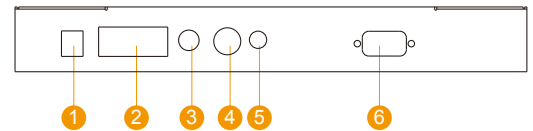
Model Name	W10L100-OFH1
Panel Size	10.1"
Active Display Area(mm)	222.72 (H) x 125.28 (V)
Resolution	1024x600
Contrast Ratio	800:1 (Typical)
Display Colors	16.7M
Brightness(cd/m2)	450 nits (Typical)
Viewing Angles (CR>=10)	-80~80(H) ; -80~75(V)
Standard Input Signal	1 x VGA 1 x Video(S-Video, Composite) (Optional) *1 x HDMI (Optional)
Power Input	12V DC input, with external AC to DC Adapter (100 to 240VAC)
Power Consumption	10 W typical, Normal operation
Operating temperature	0~50°C
Storage Temperature	-10~60 °C
Touch Screen (Optional)	P-cap. (Customized) Resistive
Remote Control (Optional)**	RS232 port
Audio (Optional)	Audio input Stereo speakers
Accessories	Power Adapter VGA cable

* I/O will be different from standard

** When adding the function, the outside dimension may change.

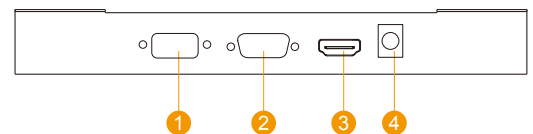


Standard I/O



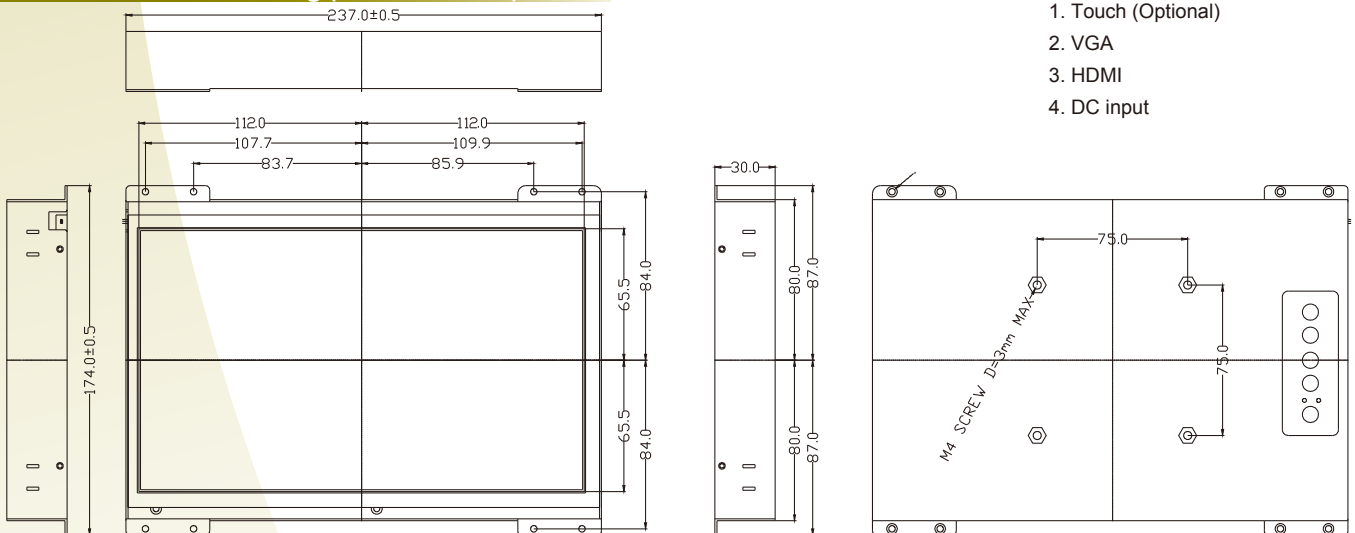
- 1. DC input
- 2. VGA
- 3. Composite (Optional)
- 4. S-video (Optional)
- 5. Audio in (Optional)
- 6. Touch (Optional)

I/O with HDMI



- 1. Touch (Optional)
- 2. VGA
- 3. HDMI
- 4. DC input

Mechanical Drawing (without touch)



UNIT:mm

* Note: The mechanical drawing may change when adding touch screen. Please contact our sales representative if you need further product information.