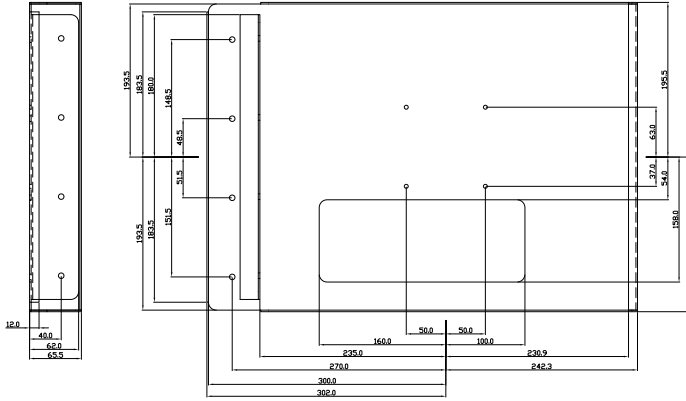


# Full IP65 Stainless Mounting Stand

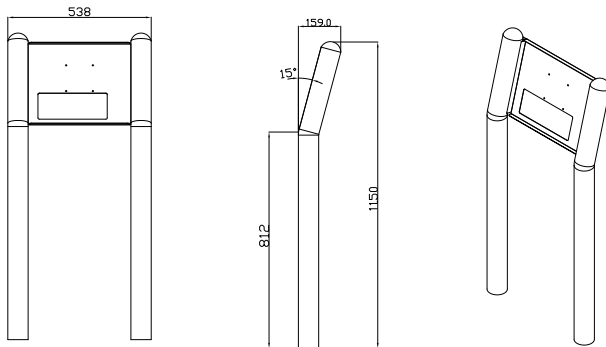
## Features

- ★ Rugged mounting stand for Outdoor Application
- ★ For 15 to 19 inches display installation
- ★ Anti-scratched powder coating
- ★ Stainless material in harsh environment

## 19 inches Side Mounting Bracket



## 15 inches Mounting Stand



**For Model** Standard: black powder coating

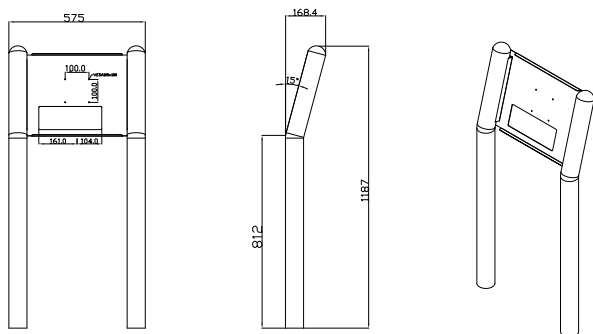
**LCD**  
R15L600-65C3

**Panel PC**  
R15I53S-65C3  
R15IA3S-65C3  
R15A83S-65C3

**Digital Signage**  
R15LS01-65C3PG



## 17 inches Mounting Stand



**For Model** Standard: black powder coating

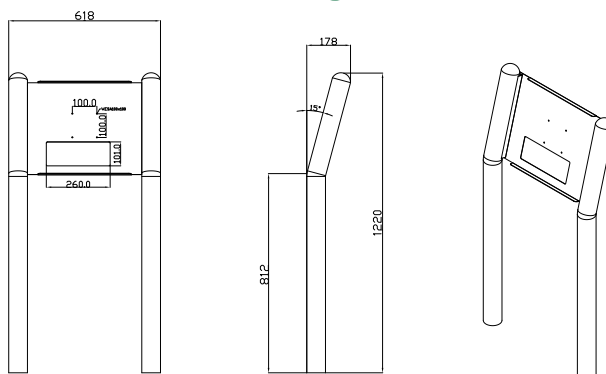
**LCD**  
R17L500-65M1  
R17I53S-65M1

**Panel PC**  
R17IA3S-65M1  
R17A83S-65M1

**Digital Signage**  
R17LS01-65M1PG



## 19 inches Mounting Stand



**For Model** Standard: black powder coating

**LCD**  
R19L300-65M1

**Panel PC**  
R19I53S-65M1  
R19IA3S-65M1  
R19A83S-65M1

**Digital Signage**  
R19LS01-65M1PG



Rev.	Reasons	Revised Date
1.0	First release	Mar-11-09
1.1	Spec change	Oct-13-09