

I370 Qyad-display PCs

Quad-Display PCs series - I370 Intel® Core Duo/Core 2 Duo Series

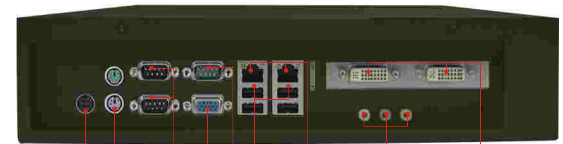
I370SB7-011

Features:

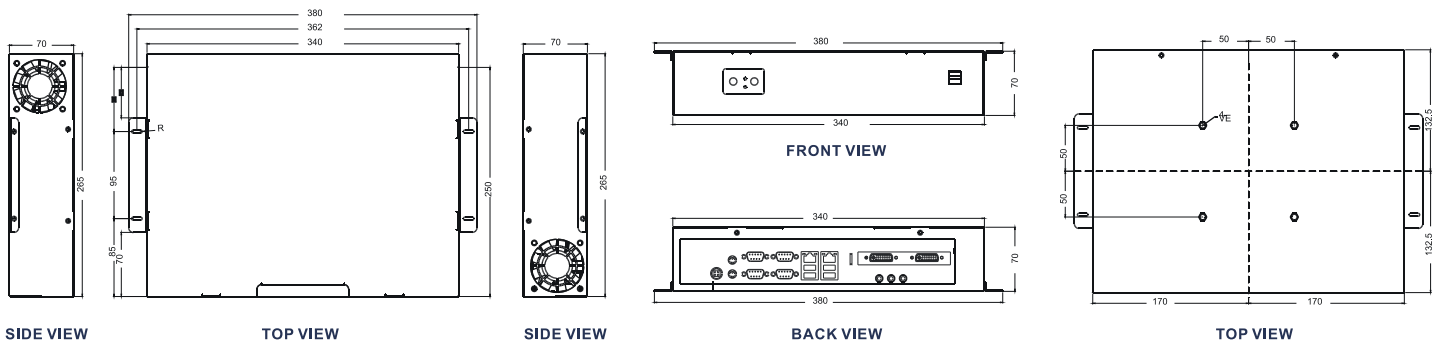
- Built in I370 Intel® Core Duo/Core 2 Duo Processors, up to 2.33GHz
- Support Quad displays, up to four digital/analog monitors simultaneously
- Support Independent, Stretched and Clone display modes
- Maximum resolution:1920 x 1200/per display for various multiple-display applications
- Auto-Stretched the display to full-screen by NVIDIA Graphic Driver
- Switch Onboard VGA/ Graphics DMS-59 display function via BIOS setting, for content/schedule management



- I. USB Port
- II. Power Reset Button
- III. Power / HDD LED
- IV. Power On Button



- 1. 12V DC-in
- 2. PS/2Power Reset Button
- 3. Serial Ports
- 4. VGA Output
- 5. Serial Ports
- 6. USB Ports
- 7. RJ-45
- 8. Mic in / Line in / Line Out
- 9. 2 x DMS-59 Conn.



System Specification

Processor	: Intel® Core Duo/Core 2 Duo Processors, up to 2.33GHz
System Chipset	: Intel® 945GME / ICH7M Chipset
System Memory	: 2 x DIMM, up to 4GB DDRII 667
Ethernet	: Dual Realtek RTL811B GigaLAN
Audio	: Built-in audio + AC97 codec
USB	: 6 x USB ports, USB 2.0 compliant
Serial	: 2 x RS-232, 1 x RS-232/422/485

Mechanical Specification

Construction	: Aluminum housing / Metal
Mouting	: Desktop / Wall-mounting
Dimension	: 330 x 250 x 70 mm
Operating Temperature	: 0 ~ 50 deg.C
Operating Humidity	: 30% ~ 90%(non-condensing, RH)

Power Supply

Power Input	: 12 V DC-in (Lockable, Power Jack)
Power Consumption	: Typical 12V/7A power consumption

Graphic Specification

Graphics Core Specification	: NVIDIA Quadro NVS 285 Graphics card (PCI-E x16)
Graphics memory	: 128 MB
Graphics Output Connector	: DMS-59 w/ 1* DMS-59-to-Dual DVI-monitor adapter cable
Graphics Software	: NVIDIA display driver and Nvidia nView Multi-Display

I/O Connectors

Rear I/Os	: 2 x RJ-45 (GigaLAN) 2 x RS-232 1 x RS-232/422/485 1 x VGA 2 x PS/2 4 x USB 2.0 1 x Line-in.Line-out.Mic-in 2 x DMS-59
Front I/Os	: 2 x USB 2.0 1 x Power/HDD LED 1 x Power Reset Button 1 x Power on Button